

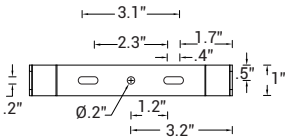
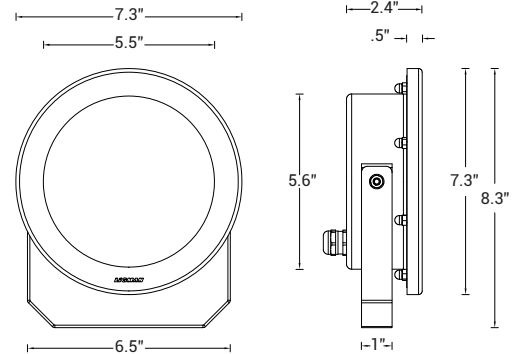
UFUN-50032

Funen 4 Underwater Luminaire (Constant Voltage)



RGBW

20w LED - 1929 Lumens
 IP68 • Suitable For Wet Locations
 IK07 • Impact Resistant (Vandal Resistant)
 Weight 5.3 lbs



Mounting Detail

Construction

Stainless Steel
 Marine grade 316 stainless steel body

Luminaire Housing & Bracket
 Marine grade 316 Stainless steel.

Memory Retentive -Silicon Gasket
 Provided with special injection molded "fit for purpose" long life high temperature memory retentive silicon gaskets. Maintains the gaskets exact profile and seal over years of use and compression.

Thermal management
 LM6 Aluminum is used for its excellent mechanical strength and thermal dissipation properties in low and high ambient temperatures. The superior thermal heat sink design by Ligman used in conjunction with the driver, controls thermals below critical temperature range to ensure maximum luminous flux output, as well as providing long LED service life and ensuring less than 10% lumen depreciation at 50,000 hours.

Surge Suppression
 Standard 10kv surge suppressor provided with all fixtures.

Hardware
 Provided Hardware is Marine grade 316 Stainless steel.

Crystal Clear Low Iron Glass Lens
 Provided with tempered, impact resistant crystal clear low iron glass ensuring no green glass tinge.

Optics & LED
 Precise optic design provides exceptional light control and precise distribution of light. LED CRI > 80

Lumen - Maintenance Life
 L80 /B10 at 50,000 hours (This means that at least 90% of the LED still achieve 80% of their original flux)

Maximum Delivered Output Lumens 1929 (RGBW 4000K output, Narrow Beam)

High performing adjustable, surface mounted underwater spotlight range. The complete professional underwater system offering RGBW options and extensive source and optic combinations.

A high powered compact surface mounted LED underwater projector for lighting small ponds, waterfalls and water jets. The floodlight must be submerged when operating. Stainless steel grade 316 body, stainless steel screws. Cable entry PG.11 cable gland supplied with 7ft of outdoor submersible #18/3 SOOW 600v power cable. Durable high temperature memory retentive silicon gasket and clear tempered vandal resistant glass. Remote 24v constant voltage driver required to be installed by others. Driver output voltage to be determined depending on quantity of luminaires connected in parallel.

Color temperature 2700K, 3000K, 3500K and 4000K, LED CRI >80 and life time 50,000 Hours. A variety of beam spreads are available to suit the application requirements. Maximum depth 5'.

Remote driver is included and required to be installed by others. Remote IP gear box by contractor. This luminaire is constant voltage and needs connecting in parallel.

Additional Options (Consult Factory For Pricing)



A80191 3" x 10" Remote Enclosure Box
 A80291 4" x 10" Remote Enclosure Box



A52521 Honeycomb Louvre



UFUN-50032

Funen 4 Underwater Luminaire (Constant Voltage)

PROJECT		DATE	
----------------	--	-------------	--

QUANTITY		TYPE		NOTE	
-----------------	--	-------------	--	-------------	--

ORDERING EXAMPLE || UFUN- 50032 - 20w - W - RGBW30 - 120/277v

UFUN-50032				
	LAMP	BEAM	RGBW COLOR	VOLTAGE
	20w LED 1929 Lumens	N - Narrow 8° M - Medium 17° W - Wide 26° VW - Very Wide 65° E - Elliptical 11° x 43°	RGBW30 - Warm White 3200K RGBW40 - Neutral White 4000K RGBW65 - Cool White 6850K	120/277v Other - Specify

--	--	--	--

ADDITIONAL OPTIONS

- | | | |
|---|-------------------------------|---------------------------------|
| A80191 - 3"x10" Remote Driver Enclosure Box | A68391 - STICK-DE3 | A64791 - RDM DMX Splitter |
| A80291 - 4"x10" Remote Driver Enclosure Box | A64491 - TPC + DMX Controller | A65191 - TPC Touch Panel |
| A52221 - Honeycomb Louvre | A64591 - POE Connect | A65391 - EDN Ethernet Data Node |
| CBL - Custom Cable Length [Specify] | A64691 - TPC + DMX 2 | A66991 - LPCX Lighting Playback |
| | | A64991 - CLOUD |





TPC Touchscreen & EXT Controller DMX & DALI 1 Universe

The TPC (Touch Panel Controller) is an elegant touch screen lighting controller with a customisable, 4.3" capacitive touch panel, 512 channels of eDMX output and vast interfacing potential, all over a single Power-over-Ethernet (PoE) network connection.

The EXT is an extension for the Pharos TPC and together they form a standalone, mainspowered lighting controller with versatile output and show control options. The EXT provides local DMX and DALI output for the TPC, as well as power and other hardware interfaces.



A64491



A64691

TPC Touchscreen & LPC Controller DMX 2 Universe

The LPC (Lighting Playback Controller) is an all-in-one control solution for themed entertainment and LED lighting installations. It features individually controllable and independently running timelines and scenes. Supported fixtures include LEDs in any configuration (RGB, RGBW, tunable white), moving heads, yokes or scanners and fountain jets. Output includes DMX512, Art-Net, DALI & RDM.

POE Connect

The POE (Power-over-Ethernet Switch) provides a simple power and networking solution for four Power-over-Ethernet devices with two separate Ethernet uplink ports. It is perfect for connecting power and data between Pharos Controllers and Pharos Remote Devices.



A64591



RDM DMX Splitters

The RDM (Remote Device Management) is a 4 port DMX512 Splitter compatible with the RDM standard to provide DMX output to luminaires and other devices. DMX splitters are an essential requirement for most control systems, allowing multiple separate cable runs from a single DMX output and ensuring electrical isolation.

A64791

TPS Touch Panel Station

The Pharos TPS (Touch Panel Station) is an elegant interface with a customizable, 4.3" capacitive touch screen, that works with any Pharos Controller



A65191



A64991

CLOUD

The CLOUD makes it easy to achieve remote control and management which is truly remote and totally secure.

Once connected, users can adjust hardware settings remotely, schedule tasks, control multiple projects, view system status, set remote user permissions, and more; through a standard internet connection without any additional hardware.

LPCX Lighting Playback Controller X

The Pharos LPC X (Lighting Playback Controller X) offers an extreme level of power and integration, making it an ideal solution for landmark lighting installations with significant channel counts. It integrates with the full range of Pharos products and offers an optional real-time video input



A66991



A65391

EDN Ethernet Data Node

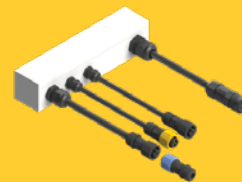
The Pharos EDN (Ethernet Data Node) is a convenient and scalable solution, providing cost-effective Ethernet distributed DMX ports for large control projects. The EDN is an easily configurable networking node that is specifically designed to add physical DMX ports to Pharos Controllers and integrates natively with the full Pharos range.

Extremely compact, it packs up to 20 DMX512 output ports into a 1U 19" form factor. For higher port count installations, nodes can be daisy-chained to provide as many physical DMX ports as you need.

EDNs are discoverable through Pharos Designer software and associated to a Controller to be seamlessly configured as part of your patch. Ports can be flexibly assigned to any controller in your project providing an elegant data distribution solution over an Ethernet network with minimal setup required.

DMX/RDM Decoder - 24 VDC - Remote IP65 Box

- Control mode: RGBW / RGB / Custom / Dimming
- Compatible with DMX protocol (ANSI E1.11) and RDM function (ANSI E1.20)
- Output power: 33 W x 4 Channels (132 W max)
- Input voltage: 12-36 VDC
- Output voltage: 7.5-33 VDC



A67091



SLESA-U9

The Nicolaudie SLESA-U9 is a standalone USB based DMX256 lighting controller with 20 scenes and 1 zone. This simple and reliable control allows dynamic lighting scenes to be programmed quickly and easily through the ESA2 software for uninterrupted independent operation.



A60491



SLESA-U11

The Nicolaudie SLESA-U11 is a standalone engine (NSA) offering incredible power based DMX2048+ lighting controller with 99 scenes 5 zones, extended triggers and 16-bit channels management. Intuitive backlit keyboard with 10 presets and zone selection. Lighting scenes can be programmed quickly and easily through ESAPRO2 software via USB or Ethernet connection and mobile applications.

A66891

DMX Splitter & Amplifier in IP Box

Digital signal distributor is used with DMX512 digital lighting control signal for amplification and 2 channel distribution output. Each input/output interface adopts high voltage isolation technology, applied to DMX512 signal via remote transmission attenuation after the plastic amplification processing. Complete electrical isolation is used between the input interface and the distribution between output interface.



A63991



A67291

DINA-DR MICRO DMX Lighting Controller & Power Adapter

The DINA-DR MICRO is the perfect standalone lighting controller for simple DMX installations. It offers an affordable and programmable solution to replace automatic controllers.

Delivered with a DIN rail adapter, the DINA-DR MICRO can be mounted in an electrical cabinet and affords significant ease of installation.

Create your static or dynamic lighting scenes with ESA Pro 2 software and upload them to the DINA-DR MICRO through its USB connection. Specifications: 10 scenes, 1 zone, 60 channels.

STICK-DE3

The feature rich lighting controller has been designed to provide a control solution for the most demanding of projects, whilst maintaining an easy to use panel of touch sensitive buttons. The controller integrates a graphical color screen allowing scene photos to be displayed. Easily view the selected zone, scene name and design without the need to navigate through complex menus.

Change the speed, color and dimmer using the circular palette. The lighting levels, color and effects can be programmed from a PC, Mac, Android, iPad or iPhone using the included software



A68391

Funen Product Family

* (CV) - Constant Voltage



Funen 1

- UFUN-50002-4w-170lm (RGBW)
- UFUN-50003-4w-358lm (CV)



Funen 2

- UFUN-50012-10w-520lm (RGBW)
- UFUN-50013-8w-984lm (CV)



Funen 3

- UFUN-50022-15w-1133lm (RGBW)
- UFUN-50023-19w-2319lm (CV)



Funen 4

- UFUN-50032-20w-1929lm (RGBW)
- UFUN-50033-32w-4038lm (CV)