

UCN-30797

Concord Wall Light



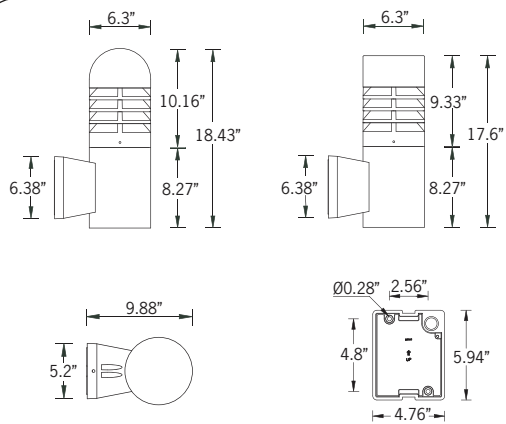
Surface



A decorative cylindrical shape wall lantern with symmetrical light distribution. Developed to compliment the Concord bollard and Concord pillar light. Designed for lighting of entrances, footpaths and car parks. Low copper content die-cast aluminum housing with high corrosion resistance. Stainless steel screws. Durable silicone rubber gasket and opal glass diffuser. Housing is treated with a chemical chromated protection before powder coating, ensuring high corrosion resistance. Integral control gear.

Physical Data

Length • 9.8"
 Height • 18.43"/17.6"
 Weight • 16 lbs
 IP55 • Suitable For Wet Locations
 IK07 • Impact Resistant (Vandal Resistant)



Mounting Detail

Aluminum Casting

Less than 0.1% copper content – Marine Grade LM6 Aluminum High Pressure die casting provides excellent mechanical strength, clean detailed product lines and excellent heat dissipation.

Pre paint

8 step degrease and phosphate process that includes deoxidizing and etching as well as a zinc and nickel phosphate process before product painting.

Memory Retentive -Silicon Gasket.

Provided with special injection molded “fit for purpose” long life high temperature memory retentive silicon gaskets. Maintains the gaskets exact profile and seal over years of use and compression.

Thermal management.

LM6 Aluminum is used for its excellent mechanical strength and thermal dissipation properties in low and high ambient temperatures. The superior thermal heat sink design by Ligman used in conjunction with the driver, controls thermals below critical temperature range to ensure maximum luminous flux output, as well as providing long LED service life and ensuring less than 10% lumen depreciation at 50,000 hours.

Surge Suppression

Standard 10kv surge suppressor provided with all fixtures.

Finishing

All Ligman products go through an extensive finishing process that includes fettling to improve paint adherence.

Paint.

UV Stabilized 4.9Mil thick powder coat paint and baked at 200 Deg C. This process ensures that Ligman products can withstand harsh environments. Rated for use in natatoriums.

Hardware.

Provided Hardware is Marine grade 316 Stainless steel.

Anti Seize Screw Holes

Tapped holes are infused with a special anti seize compound designed to prevent seizure of threaded connections, due to electrolysis from heat, corrosive atmospheres and moisture.

Opal Borosilicate Glass Lens.

Provided with opal borosilicate impact resistant glass.

Optics & LED

Precise optic design provides exceptional light control and precise distribution of light. LED CRI > 80

Lumen - Maintenance Life

L80 /B10 at 50,000 hours (This means that at least 90% of the LED still achieve 80% of their original flux)

Standard Options

Lamp
 41w LED
 218 lm

Top

1 • Dome Top 2 • Flat Top

LED Color
 W27 • 2700K
 W30 • 3000K
 W40 • 4000K

Finish Color

01 - Black - RAL 9011	01
02 - Dark Grey - RAL 7043	02
03 - White - RAL 9003	03
04 - Metallic Silver - RAL 9006	04
05 - Matte Silver - RAL 9006	05
06 - Bronze - RAL 6014	06
07 - Custom RAL	07

Options (Consult Factory for Pricing)

NAT • Natatorium & High Salt Environments

Ordering Example : UCN - 30797 - 41w - 1 - W30 - 02 - 120/277v - Options

UCN	Lamp	Top	LED Color	Color	Voltage	Options
30797	41w LED	1 Dome 2 Flat	W27 2700K W30 3000K W40 4000K	01 Black 02 Dark Grey 03 White 04 Metallic Silver 05 Matte Silver 06 Bronze 07 Custom RAL	120/277v Other (Specify)	NAT Natatorium Rated

PROJECT: DATE: QUANTITY:

TYPE: NOTE:

Ligman Lighting USA reserves the right to change specifications without prior notice, please contact factory for latest information. Due to the continual improvements in LED technology data and components may change without notice.

Head Office:
 7144 NW Progress Ct Hillsboro, Oregon 97124
 Tel: 503-645-0500 Fax: 503-645-8100
www.ligmanlightingusa.com

