

FS-UKWH-20021-RGBW

KWH 6 Streetlight



93w LED
5438 Lumens

IP65
Suitable for wet locations

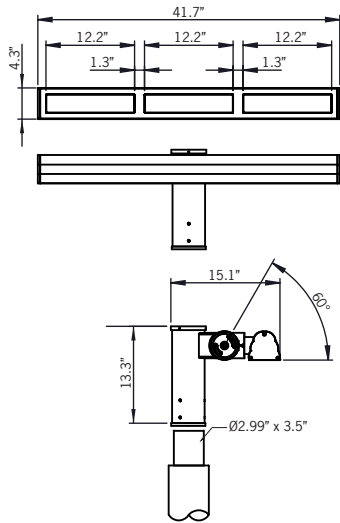
IK08
Impact Resistant [Vandal Resistant]

Weight 27.3 lbs

EPA - 0.43

POLE NOT INCLUDED

RGBW



Construction

Aluminum

Less than 0.1% copper content – Marine Grade 6060 extruded & LM6 Aluminum High Pressure die casting provides excellent mechanical strength, clean detailed product lines and excellent heat dissipation.

Pre paint

8 step degrease and phosphate process that includes deoxidizing and etching as well as a zinc and nickel phosphate process before product painting.

Memory Retentive -Silicon Gasket

Provided with special injection molded “fit for purpose” long life high temperature memory retentive silicon gaskets. Maintains the gaskets exact profile and seal over years of use and compression.

Thermal management

LM6 Aluminum is used for its excellent mechanical strength and thermal dissipation properties in low and high ambient temperatures. The superior thermal heat sink design by Ligman used in conjunction with the driver, controls thermals below critical temperature range to ensure maximum luminous flux output, as well as providing long LED service life and ensuring less than 10% lumen depreciation at 50,000 hours.

Surge Suppression

Standard 10kv surge suppressor provided with all fixtures.

BUG Rating

Contact Factory

Finishing

All Ligman products go through an extensive finishing process that includes fettling to improve paint adherence.

Paint

UV Stabilized 4.9Mil thick powder coat paint and baked at 200 Deg C. This process ensures that Ligman products can withstand harsh environments. Rated for use in natatoriums.

Hardware

Provided Hardware is Marine grade 316 Stainless steel.

Anti Seize Screw Holes

Tapped holes are infused with a special anti seize compound designed to prevent seizure of threaded connections, due to electrolysis from heat, corrosive atmospheres and moisture.

Crystal Clear Low Iron Glass Lens

Provided with tempered, impact resistant crystal clear low iron glass ensuring no green glass tinge.

Optics & LED

Precise optic design provides exceptional light control and precise distribution of light. LED CRI > 80

Lumen - Maintenance Life

L80 /B10 at 50,000 hours (This means that at least 90% of the LED still achieve 80% of their original flux)

The KWH luminaire provides a small profile luminaire with clean crisp lines and lateral expandability, maintaining a minimalistic uniform visual sideways appearance to road and pathway users while offering a variety of lumen packages.

These luminaires have rotatable and interchangeable microVOS optics and are also available with integral emergency battery backup solutions.

This product is also ideal for project perimeter, pathway, parking areas and boundary illumination solutions

Adjustable pole-mounted area light.

Powerful, flexible and cost-effective family with vast array of technical optic choices.

A small size pole mount area light with different optics. The KWH can be aimed to suit specific light patterns with the adjustable arm. Type I, II, III, IV, SCL, ME, as well as Type V symmetrical lens optics suitable for most lighting applications.

Designed for lighting private roadways, car parks, exhibition areas, service stations, truck stops and sports grounds. Color temperature 2700K, 3000K, 3500K and 4000K, LED CRI >80 and life time 50,000 Hours.

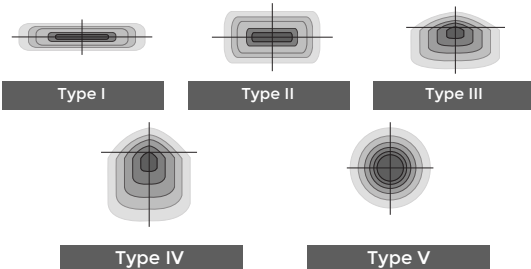
Low copper content marine grade corrosion resistant aluminum body. Integral control gear. Stainless steel fasteners in grade 316. Durable memory retentive silicone gasket and clear tempered glass.

The luminaire is treated with a nickel and zinc phosphate protection before powder coating, ensuring high corrosion resistance. This luminaire is provided prewired with power cord to the handhole to simplify contractor installation.

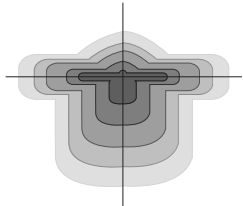
Available with Integral Emergency Backup



Ligman's micro Variable Optical System provides the ability to interchange, mix & rotate optics to provide specific light distributions for optimized spacing and uniformity.



The variable optic system allows for the designer to create hybrid distributions for precise lighting requirements.



HYBRID
TYPE I & TYPE IV

FS-UKWH-20021-RGBW

KWH 6 Streetlight



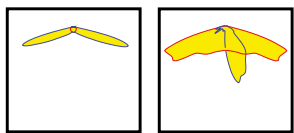
PROJECT		DATE	
----------------	--	-------------	--

QUANTITY		TYPE		NOTE	
-----------------	--	-------------	--	-------------	--

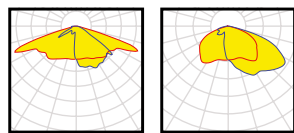
ORDERING EXAMPLE || UKWH - 20021 - 93w - T2 - RGBW30 - 02 - 120/277v - Options

UKWH-20021					
-------------------	--	--	--	--	--

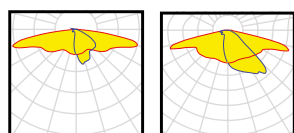
LAMP	BEAM	RGBW COLOR	FINISH COLOR	VOLTAGE
93w LED 5438 Lumens	T1 - Type I Distribution T2 - Type II Distribution T3 - Type III Distribution T4 - Type IV Distribution M - Medium 31° W - Wide 55° EW - Extra Wide 107° ME - Type ME Distribution SCL - Type SCL Distribution	RGBW30 - Warm White 3200K RGBW40 - Neutral White 4000K RGBW65 - Cool White 6850K	01 - BLACK RAL 9011 02 - DARK GREY RAL 7043 03 - WHITE RAL 9003 04 - METALLIC SILVER RAL 9006 05 - MATTE SILVER RAL 9006 06 - LIGMAN BRONZE 07 - CUSTOM RAL	120/277v Other - Specify



T1 IESNA Type I (medium)
T2 IESNA Type II (medium)



T3 IESNA Type III (medium)
T4 IESNA Type IV



SCL Type II/III (long), ideal for pedestrian paths and residential roads
ME Excellent longitudinal luminance uniformity fulfilling EN13201 M-class requirements

--	--	--	--

ADDITIONAL OPTIONS

- DIM - 0-10v Dimming
- NAT - Natatorium Rated
- F - Frosted Lens
- EMG - Emergency Battery Backup
- IHSS- Internal House Side Shield



KWH Product Family



KWH 1

• UKWH-30001-19w-2591lm



KWH 2

• UKWH-30001-20w-2591lm



KWH 3

• UKWH-30021-60w-7200lm



KWH 4

• UKWH-20001-20w-2591lm



KWH 5

• UKWH-20011-38w-5182lm



KWH 6

• UKWH-20021-60w-7200lm

