

UAR-20973

Arizona 2 Light Column



UAR-20973 • 34.8lbs	21131 • 106lbs
39w COB-3657lm	39/2x21w COB-6703lm
21151 • 85lbs	21161 • 85lbs
39/3x15w COB/LED-3657lm	39/3x15w COB/LED-3657lm

IP65 • Suitable For Wet Locations
IK08 • Impact Resistant (Vandal Resistant)

Construction

Aluminum

Less than 0.1% copper content – Marine Grade 6060 extruded & LM6 Aluminum High Pressure die casting provides excellent mechanical strength, clean detailed product lines and excellent heat dissipation.

Pre paint

8 step degrease and phosphate process that includes deoxidizing and etching as well as a zinc and nickel phosphate process before product painting.

Memory Retentive -Silicon Gasket

Provided with special injection molded “fit for purpose” long life high temperature memory retentive silicon gaskets. Maintains the gaskets exact profile and seal over years of use and compression.

Thermal management

LM6 Aluminum is used for its excellent mechanical strength and thermal dissipation properties in low and high ambient temperatures. The superior thermal heat sink design by Ligman used in conjunction with the driver, controls thermals below critical temperature range to ensure maximum luminous flux output, as well as providing long LED service life and ensuring less than 10% lumen depreciation at 50,000 hours.

Surge Suppression

Standard 10kv surge suppressor provided with all fixtures.

BUG Rating

B2 - U3 - G0

Finishing

All Ligman products go through an extensive finishing process that includes fettling to improve paint adherence.

Paint

UV Stabilized 4.9Mil thick powder coat paint and baked at 200 Deg C. This process ensures that Ligman products can withstand harsh environments. Rated for use in natatoriums.

Hardware

Provided Hardware is Marine grade 316 Stainless steel.

Anti Seize Screw Holes

Tapped holes are infused with a special anti seize compound designed to prevent seizure of threaded connections, due to electrolysis from heat, corrosive atmospheres and moisture.

High Impact Acrylic Lens

Manufactured with Ultra High Impact, Naturally UV Stabilized Injection Molded Acrylic.

Optics & LED

Precise optic design provides exceptional light control and precise distribution of light. LED CRI > 80

Lumen - Maintenance Life

L80 /B10 at 50,000 hours (This means that at least 90% of the LED still achieve 80% of their original flux)

Streamlined lighting column. Clean-lined, smooth round decorative ambient lighting column with opal lateral diffuser.

Complementing the Arizona family of outdoor floodlight columns and wall mounted sconces, is the Arizona 1. The Arizona 1 is a 6” diameter column and incorporates precision optics that provides a type V distribution housed within a ultra high impact clear acrylic lens. This modern aesthetic design can be specified with different wattages if necessary to provide the perfect lighting solution and can be used to light areas, such as campuses, parks, recreational areas and public spaces.

This luminaire is provided with an integral driver housed within a waterproof electrical compartment secured inside the pole. The luminaire is pre-wired with power cord to the handhole to simplify installation. The Arizona is available with two different LED packages, namely COB (See UAR-20973) which is available with a very wide type V distribution and the HP LED version (see UAR-20974) for Type II, III & IV light distributions. Color temperature 2700K, 3000K, 3500K and 4000K, LED CRI >80 and life time 50,000 Hours.

Reduced wattages can be provided to provide Title 24 compliance.

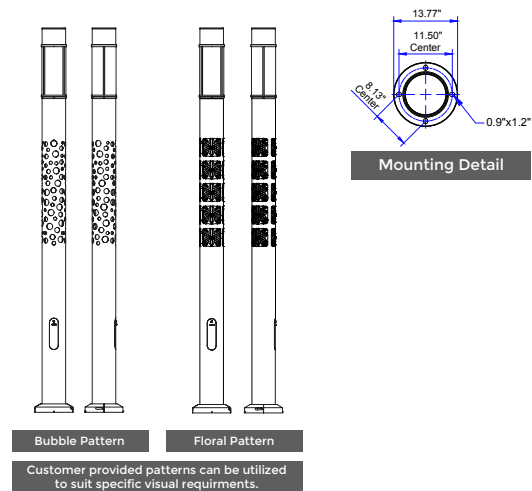
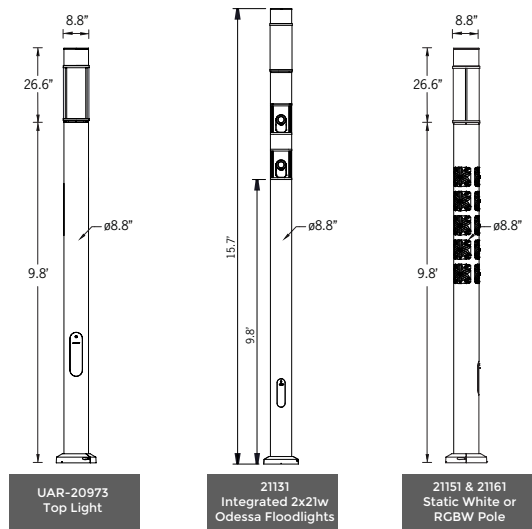
For non standard fixture variations, as well as specific perforated reflector requirements and decorative house side shields, please contact the factory.

This product is provided complete with anchor bolts and laser cut steel bolt template.

For alternate root mount installation, please specify.

Additional Options (Consult Factory For Pricing)

A90991 Zhaga Book 18	A90891 NEMA 7	A91591 Power Plug	A91291 Speaker
A91091 WiFi	A91691-L2 Motion Sensor (Up to 10ft)	A91691-L7 Motion Sensor (Up to 40ft)	A91191 Camera
A91491 Electric Vehicle Charger	A91991 EO Hub	A91391 Intercom	




UAR-20973

Arizona 2 Light Column

PROJECT		DATE	
----------------	--	-------------	--

QUANTITY		TYPE		NOTE	
-----------------	--	-------------	--	-------------	--

ORDERING EXAMPLE || UAR - 20973 - VW - W30 - 02 - 120/277v

UAR-20973				
TYPE/LAMP	BEAM	LED COLOR	FINISH COLOR	VOLTAGE
<p>CHOOSE TYPE/LAMP IF NOT ORDERING 20973</p> <p>21131 - Internal Floodlights - 39/2x21w</p> <p>21151 - Static White Decorative Pole - 39/3x15w</p> <p>21161 - RGBW Decorative Pole - 39/3x15w</p>	<p>VW - Very Wide 70"</p> <p>Choose Floodlight Beams for 21131 Arizona also</p> <p>FLOOD BEAM</p> <p>M - Medium 23" W - Wide 32" VW - Very Wide 47"</p>	<p>W27 - 2700K W30 - 3000K W35 - 3500K W40 - 4000K</p> <p>Choose RGBW color for 21161 Arizona also</p> <p>RGBW COLOR</p> <p>RGBW30 - Warm White 3200K RGBW40 - Neutral White 4000K RGBW65 - Cool White 6850K</p>	<p>01 - BLACK RAL 9011 02 - DARK GREY RAL 7043 03 - WHITE RAL 9003 04 - METALLIC SILVER RAL 9006 05 - MATTE SILVER RAL 9006 06 - LIGMAN BRONZE 07 - CUSTOM RAL</p> 	<p>120/277v Other - Specify</p>

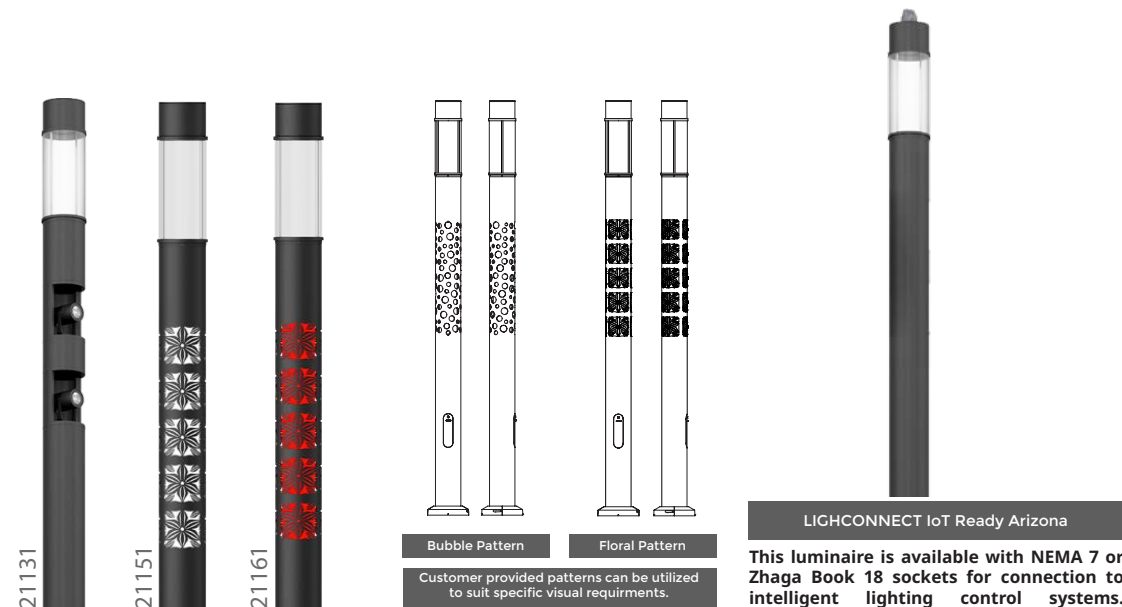
--	--	--	--	--	--

ADDITIONAL OPTIONS

- DIM - 0-10v Dimming
- NAT - Natatorium Rated
- GFCI - GFCI Box
- HSS - House Side Shield
- HGT - Custom Height (Specify)
- A90991-U - Zhaga Book 18 Mounted On Top of Fixture
- A90991-D - Zhaga Book 18 Mounted Below Fixture

- A90891 - NEMA 7
- A91591 - Round Power Plug
- A91291 - Speaker
- A91091 - WiFi
- A91691-L2 - Motion Sensor (Up to 10ft)
- A91691-L7 - Motion Sensor (Up to 40ft)
- A91191 - Camera

- A91491 - Electric Vehicle Charger
- A91991 - EO Hub
- A91391 - Intercom
- BPC - Button Photocell



RGBW DMX/RDM Control

RGBW control requires precise communication between lighting fixtures and IP-based systems. To manage Red, Green, Blue, and White diodes effectively, each fixture must be pre-addressed to ensure accurate individual or grouped control.

Ligman's Engineered Approach

Ligman offers a structured, performance-driven methodology for RGBW system design and deployment.

Fixture Addressing

- Default: Fixtures are factory-programmed with the same DMX address unless otherwise specified.
- Issue: Identical addresses cause all fixtures to respond as one—changing colors simultaneously.

Solution: Assign unique DMX addresses to each fixture during programming or via RDM tools to enable independent or grouped control.

Termination Resistors

To prevent signal interference (crosstalk) between fixtures:

- Ligman supplies 120-ohm termination resistors.
- Install inside the last fixture or at its J-Box. – (Resistor will be factory installed on most fixtures, Some will require installation Onsite Depend-ent Upon Fixture and Type.) - Connect between DMX+ and DMX- signal lines.

System Design Guidelines

Fixture Count

- On 3 or More Fixtures: A terminating resistor is installed at the end of the run.

On 5 or More Fixtures: Ligman may request additional layout details to validate system integrity.

Fixtures with Dual DMX Addresses require more DMX channels, reducing the number of fixtures per run. (Refer to technical drawings for specifics.)

- Maximum Distance Without Booster: 984 ft (300 m) from the controller.

Beyond This Limit: DMX/RDM splitters or boosters are required.

Custom Layouts

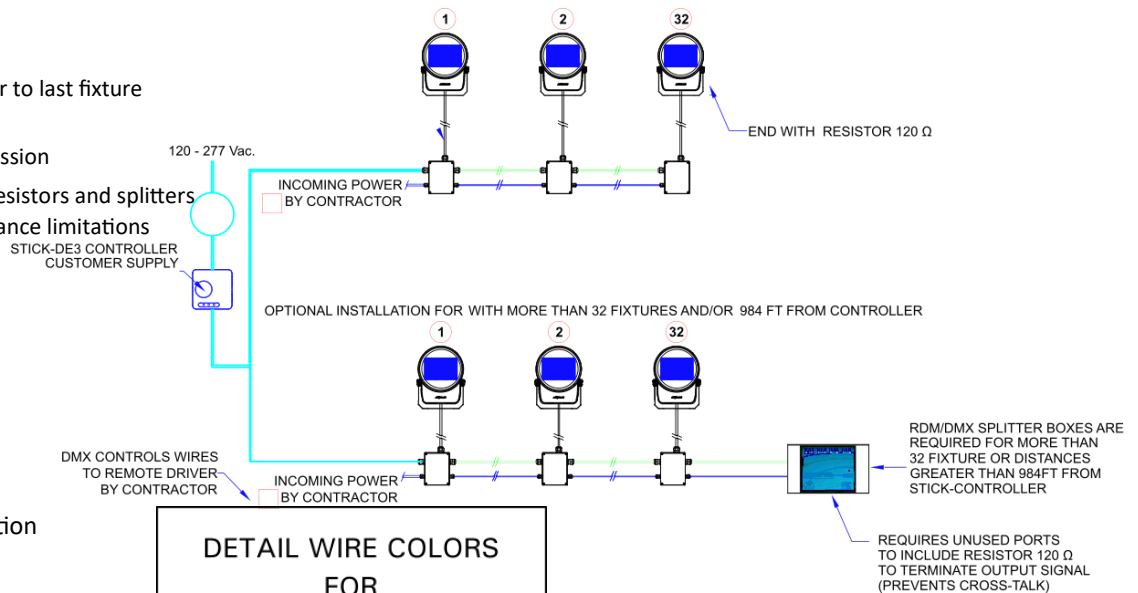
For non-standard RGBW configurations, Ligman requires:

- Fixture quantity per run
- Distance between fixtures
- Total cable length from controller to last fixture

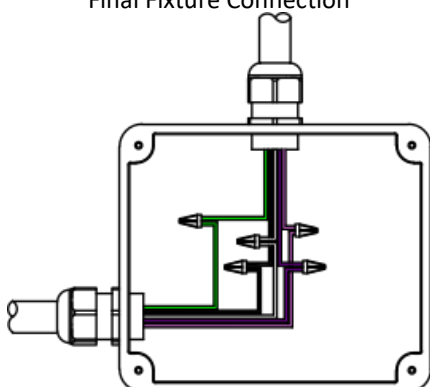
This ensures:

- Reliable DMX signal transmission
- Proper use of termination resistors and splitters

Compliance with fixture and distance limitations

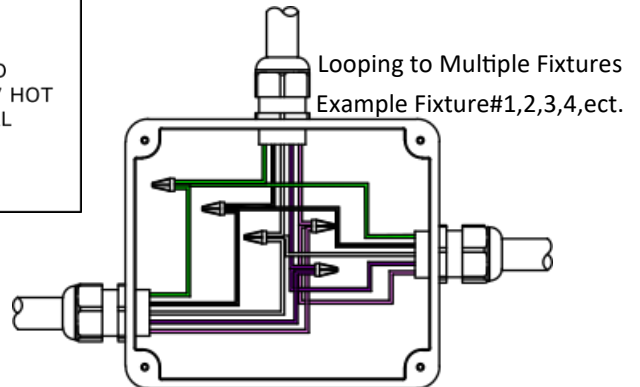


Single Fixture Connection
Or
Final Fixture Connection



DETAIL WIRE COLORS FOR 5-WIRE CABLE

GREEN-----GROUND
 BLACK-----120/277 HOT
 WHITE-----NEUTRAL
 PURPLE-----DMX +
 PINK-----DMX -





STICK-DE3

The feature rich lighting controller has been designed to provide a control solution for the most demanding of projects, whilst maintaining an easy to use panel of touch sensitive buttons. The controller integrates a graphical color screen allowing scene photos to be displayed. Easily view the selected zone, scene name and design without the need to navigate through complex menus. Change the speed, color and dimmer using the circular palette.

The lighting levels, color and effects can be programmed from a PC, Mac, Android, iPad or iPhone using the included software.



Stick-DE3



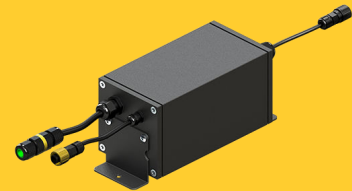
A64791

RDM DMX Splitters

The RDM (Remote Device Management) is a 4 port DMX512 Splitter compatible with the RDM standard to provide DMX output to luminaires and other devices. DMX splitters are an essential requirement for most control systems, allowing multiple separate cable runs from a single DMX output and ensuring electrical isolation.

DMX Splitter / Booster - Remote IP65 Box

DMX/RDM Splitter, within an IP65 box with 1 channel output, is a digital signal distributor is used with DMX512-A and ANSI E1.20 RDM. 1-port, DMX/RDM isolated splitter engineered to take any architectural, commercial, or entertainment project to the next level. Multiple DMX/RDM Splitter can be chained together to create as many outputs as you need.



RDM - DMX Repeater

The RDM (Remote Device Management) is a 4 port DMX512 Splitter compatible with the RDM standard to provide DMX output to luminaires and other devices. DMX splitters are an essential requirement for most control systems, allowing multiple separate cable runs from a single DMX output and ensuring electrical isolation.

Arizona Product Family



Arizona 1

- UAR-21012-28w-1826lm



Arizona 2

- UAR-20973-39w-3657lm
- UAR-20974-37w-3697lm



Arizona 2

- UAR-20973-21131-39/2x21w
- UAR-20974-21131-37/2x21w



Arizona 2

- UAR-20973-21151-39/3x15w
- UAR-20974-21152-37/3x15w



Arizona 2

- UAR-20973-21161-39/3x15w
- UAR-20974-21162-37/3x15w



Arizona 3

- UAR-20991-50w-4396 lm



Arizona 3

- UAR-20992-85w-9243lm
- UAR-20993-115w-12795lm



Arizona 4

- UAR-21041-28w-1826lm



Arizona 5

- UAR-21051-39w-3657lm
- UAR-21052-37w-3519lm