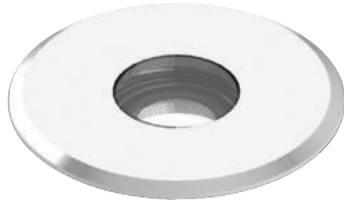


UNE-60833

Nevada 1 Ingrade - Constant Voltage



4w LED 145 Lumens
IP67 • Suitable For Wet Locations
IK10 • Impact Resistant (Vandal Resistant)
Weight 1 lbs

Construction

Aluminum

Less than 0.1% copper content – Marine Grade 6060 extruded & LM6 Aluminum High Pressure die casting provides excellent mechanical strength, clean detailed product lines and excellent heat dissipation.

Pre paint

8 step degrease and phosphate process that includes deoxidizing and etching as well as a zinc and nickel phosphate process before product painting.

Memory Retentive -Silicon Gasket

Provided with special injection molded “fit for purpose” long life high temperature memory retentive silicon gaskets. Maintains the gaskets exact profile and seal over years of use and compression.

Thermal management

LM6 Aluminum is used for its excellent mechanical strength and thermal dissipation properties in low and high ambient temperatures. The superior thermal heat sink design by Ligman used in conjunction with the driver, controls thermals below critical temperature range to ensure maximum luminous flux output, as well as providing long LED service life and ensuring less than 10% lumen depreciation at 50,000 hours.

Surge Suppression

Standard 10kv surge suppressor provided with all fixtures.

Finishing

All Ligman products go through an extensive finishing process that includes fettling to improve paint adherence.

Paint

UV Stabilized 4.9Mil thick powder coat paint and baked at 200 Deg C. This process ensures that Ligman products can withstand harsh environments. Rated for use in natatoriums.

Frame & Hardware

Marine grade 316 Stainless steel.

Anti Seize Screw Holes

Tapped holes are infused with a special anti seize compound designed to prevent seizure of threaded connections, due to electrolysis from heat, corrosive atmospheres and moisture.

Low Iron Borosilicate Glass Lens.

Provided with tempered, impact resistant borosilicate low iron glass ensuring no green glass tinge.

Optics & LED

Precise optic design provides exceptional light control and precise distribution of light.
LED CRI > 80

Lumen - Maintenance Life

L80 /B10 at 50,000 hours (This means that at least 90% of the LED still achieve 80% of their original flux)

BUG Rating

B2 - U3 - G3

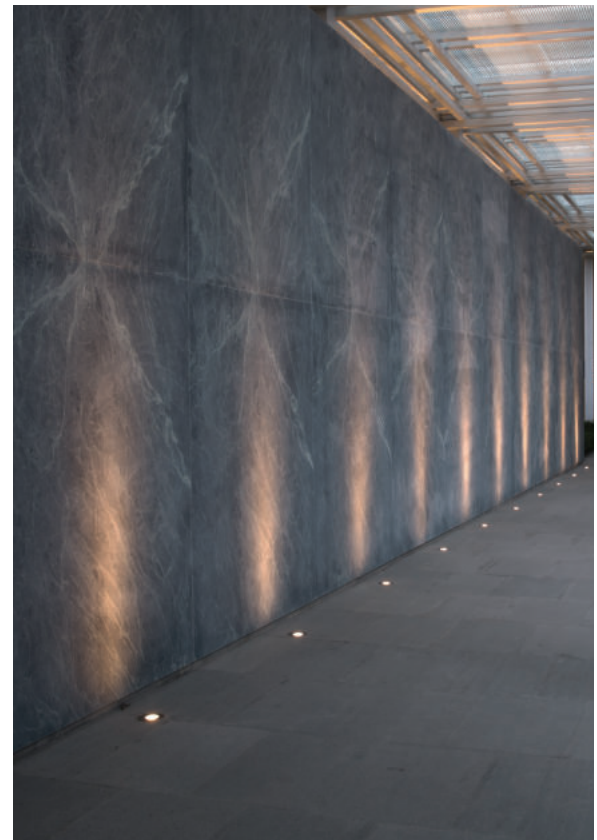
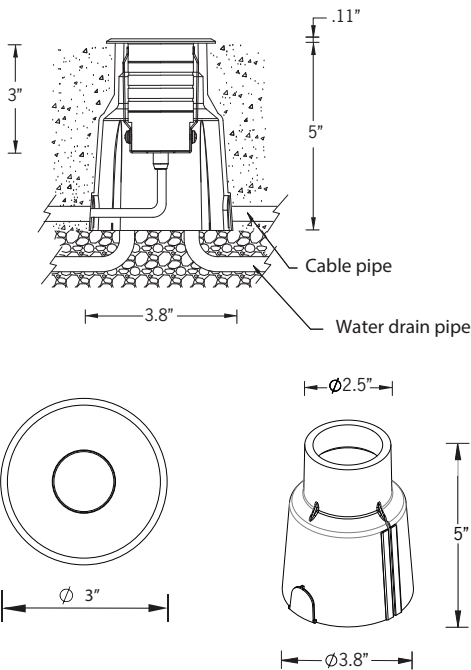
Discrete, minimal-footprint inground accent lighting. White light or dynamic RGBW options with connection accessories and controls systems.

A range of 3” inground uplights with a round stainless steel trim, suitable for illuminating columns, wall accents, architectural and landscape features. Product is suitable for way finding and marker light applications.

Supplied with 6.4’ of 20GA outdoor cable. Walk over 440 lbs. maximum. Recessing box is provided in polyvinyl chloride (PVC). A remote driver is provided and should be installed in a remote mounted waterproof box provided by Ligman. The high power LED option is available in white 2700K, 3000K, 3500K and 4000K.

To ensure efficient drainage, gravel must be used to a depth of 17” and width of 12” beneath the housing, and should also be placed around the luminaire.

This is a constant voltage fixture. It can support one driver for multiple fixtures. This fixture is non dimming



UNE-60833

Nevada 1 Ingrade - Constant Voltage

PROJECT	<input type="text"/>	DATE	<input type="text"/>
----------------	----------------------	-------------	----------------------

QUANTITY	<input type="text"/>	TYPE	<input type="text"/>	NOTE	<input type="text"/>
-----------------	----------------------	-------------	----------------------	-------------	----------------------

ORDERING EXAMPLE || UNE-60833-4w - W30- 120/277v

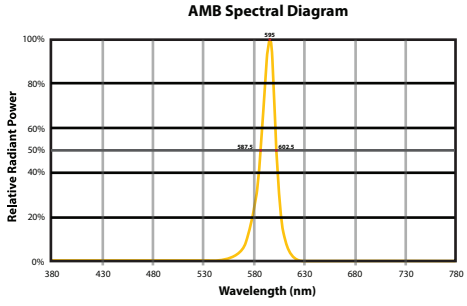
UNE-60833	<input type="text"/>	<input type="text"/>	<input type="text"/>
LAMP	LED COLOR	VOLTAGE	
4w LED 145 Lumens	W27 - 2700K W30 - 3000K W35 - 3500K W40 - 4000K	120/277v Other - Specify	

<input type="text"/>	<input type="text"/>	<input type="text"/>
----------------------	----------------------	----------------------

ADDITIONAL OPTIONS

- F - Frosted Lens
- NAT - Natatorium Rated
- AMB - Turtle Friendly Amber LED

CITY OF FLAGSTAFF & TURTLE FRIENDLY COMPLIANT



Narrow-Spectrum Amber LEDs
Peak wavelength between 585 & 595 nanometers and a full width of 50% power no greater than 15 nanometers.

