

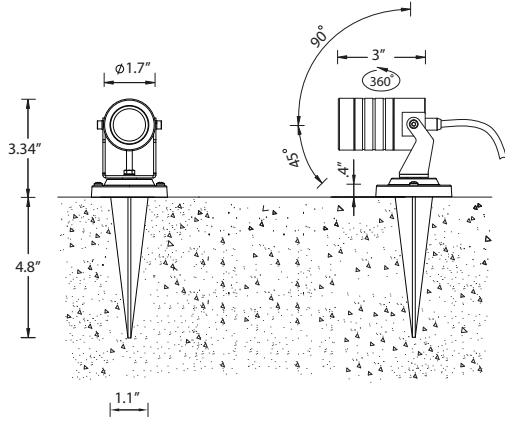
UUT-50564

Utah 4 RGBW Floodlight - Constant Voltage



RGBW

5w LED 195 Lumens
IP65 • Suitable For Wet Locations
IK07 • Impact Resistant (Vandal Resistant)
Weight .6 lbs



Construction

Aluminum

Less than 0.1% copper content – Marine Grade 6060 extruded & LM6 Aluminum High Pressure die casting provides excellent mechanical strength, clean detailed product lines and excellent heat dissipation.

Pre paint

8 step degrease and phosphate process that includes deoxidizing and etching as well as a zinc and nickel phosphate process before product painting.

Memory Retentive -Silicon Gasket

Provided with special injection molded “fit for purpose” long life high temperature memory retentive silicon gaskets. Maintains the gaskets exact profile and seal over years of use and compression.

Thermal management

LM6 Aluminum is used for its excellent mechanical strength and thermal dissipation properties in low and high ambient temperatures. The superior thermal heat sink design by Ligman used in conjunction with the driver, controls thermals below critical temperature range to ensure maximum luminous flux output, as well as providing long LED service life and ensuring less than 10% lumen depreciation at 50,000 hours.

Surge Suppression

Standard 10kv surge suppressor provided with all fixtures.

Finishing

All Ligman products go through an extensive finishing process that includes fettling to improve paint adherence.

Paint

UV Stabilized 4.9mil thick powder coat paint and baked at 200 Deg C. This process ensures that Ligman products can withstand harsh environments. Rated for use in natatoriums.

Hardware

Provided Hardware is Marine grade 316 Stainless steel.

Anti Seize Screw Holes

Tapped holes are infused with a special anti seize compound designed to prevent seizure of threaded connections, due to electrolysis from heat, corrosive atmospheres and moisture.

Crystal Clear Low Iron Glass Lens

Provided with tempered, impact resistant crystal clear low iron glass ensuring no green glass tinge.

Optics & LED

Precise optic design provides exceptional light control and precise distribution of light. LED CRI > 80

Lumen - Maintenance Life

L80 /B10 at 50,000 hours (This means that at least 90% of the LED still achieve 80% of their original flux)

Miniature adjustable spotlight range. Contemporary simplicity and a diminutive footprint allows designers to paint landscaping with light whilst avoiding visual clutter.

A mini floodlight designed to use a single high power LED. These floodlights are designed to illuminate plants and fulfill architectural details and sign boards. RGBW full colors render for each LEDs and static white for color temperature 2700K, 3000K, 3500K and 4000K, LED CRI >80 and life time 50,000 Hours.

Plastic ground spike for garden type. Accessory visor must be order separately. Remote driver box is not included, but is available as an accessory. This luminaire is constant voltage fixture and is non dimming

Additional Options (Consult Factory For Pricing)



A51431
Anti Glare Visor



A80191
Remote Driver Box

Utah Product Family



UUT-50552



RGBW
UUT-50554



RGBW
UUT-50564




UUT-50564

Utah 4 RGBW Floodlight - Constant Voltage

PROJECT		DATE	
----------------	--	-------------	--

QUANTITY		TYPE		NOTE	
-----------------	--	-------------	--	-------------	--

ORDERING EXAMPLE || UUT - 50564 - 5w LED - M - RGBW30 - 02 - 120/277v

UUT-50564					
LAMP	BEAM	RGBW COLOR	FINISH COLOR	VOLTAGE	
5w LED 195 Lumens	N - Narrow Beam 18° M - Medium Beam 33° W - Wide Beam 50° E - Elliptical Beam 23°x43°	RGBW30 - Warm White 3200K RGBW40 - Neutral White 4000K RGBW65 - Cool White 6850K	01 - BLACK RAL 9011 02 - DARK GREY RAL 7043 03 - WHITE RAL 9003 04 - METALLIC SILVER RAL 9006 05 - MATTE SILVER RAL 9006 06 - LIGMAN BRONZE 07 - CUSTOM RAL	 120/277v Other - Specify	

--	--	--	--

ADDITIONAL OPTIONS

- | | |
|------------------------|----------------------------|
| F - Frosted Lens | A51431 - Anti Glare Visor |
| NAT - Natatorium Rated | A80191 - Remote Driver Box |