

UOD-50021

Odessa 2 GOBO Medium Floodlight Projector



Mounting Options

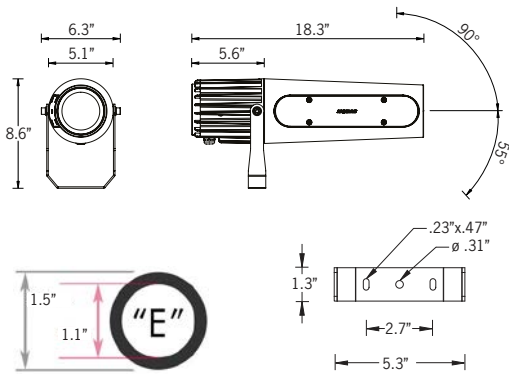


Threaded Knuckle
(See codes below)



Pedestal Mount
(See codes below)

45w LED 2000 Lumens
IP66 • Suitable For Wet Locations
IK07 • Impact Resistant (Vandal Resistant)
Weight 10.8 lbs



Sizes for Patterns

Mounting Detail

Construction

Aluminum Casting

Less than 0.1% copper content – Marine Grade 6060 extruded & LM6 Aluminum High Pressure die casting provides excellent mechanical strength, clean detailed product lines and excellent heat dissipation.

Pre paint

8 step degrease and phosphate process that includes deoxidizing and etching as well as a zinc and nickel phosphate process before product painting.

Memory Retentive -Silicon Gasket

Provided with special injection molded “fit for purpose” long life high temperature memory retentive silicon gaskets. Maintains the gaskets exact profile and seal over years of use and compression.

Thermal management

LM6 Aluminum is used for its excellent mechanical strength and thermal dissipation properties in low and high ambient temperatures. The superior thermal heat sink design by Ligman used in conjunction with the driver, controls thermals below critical temperature range to ensure maximum luminous flux output, as well as providing long LED service life and ensuring less than 10% lumen depreciation at 50,000 hours.

Surge Suppression

Standard 10kv surge suppressor provided with all fixtures.

BUG Rating

Contact Factory

EPA

0.52

Finishing

All Ligman products go through an extensive finishing process that includes fettling to improve paint adherence.

Paint

UV Stabilized 4.9Mil thick powder coat paint and baked at 200 Deg C. This process ensures that Ligman products can withstand harsh environments. Rated for use in natatoriums.

Hardware

Provided Hardware is Marine grade 316 Stainless steel.

Anti Seize Screw Holes

Tapped holes are infused with a special anti seize compound designed to prevent seizure of threaded connections, due to electrolysis from heat, corrosive atmospheres and moisture.

Crystal Clear Low Iron Glass Lens

Provided with tempered, impact resistant crystal clear low iron glass ensuring no green glass tinge.

Optics & LED

Precise optic design provides exceptional light control and precise distribution of light. LED CRI > 80

Lumen - Maintenance Life

L80 /B10 at 50,000 hours (This means that at least 90% of the LED still achieve 80% of their original flux)

Elegant and powerful Gobo projector to match the entire ODESSA 2 family of fixtures and an added tool for clusters, columns and structures. Optional focal lengths, able to take both metal and glass size-E gobos and IP66 protection with unique side-entry hatch for site focusing and gobo rotation.

The Odessa family of floodlights have a modern aesthetic design and are a perfect lighting solution for most small to medium size spotlight and floodlight requirements. The floodlights can be aimed and locked in place to highlight specific features or elements in the environment, as well as provide security when illuminating dark areas on campuses and parks.

This medium size, high performance LED GOBO provides a robust design for demanding applications such as recreational areas, public spaces and architectural structures.

The luminaire has integrated heat sinks to facilitate LED cooling, as well as an integral driver. The Odessa is available in Narrow, Medium and Wide light distributions. Color temperature 6500K.

For non standard fixture variations, as well as specific reflector requirements, please contact the factory. 3 mounting options are available, namely yoke mount, pedestal and 1/2” threaded knuckle system with a fully rotatable with locking screw option for after installation aiming.

The Odessa 2 GOBO can be attached to some of Ligman's light columns, such as the Vancouver and Benton, and all cluster column configurations.

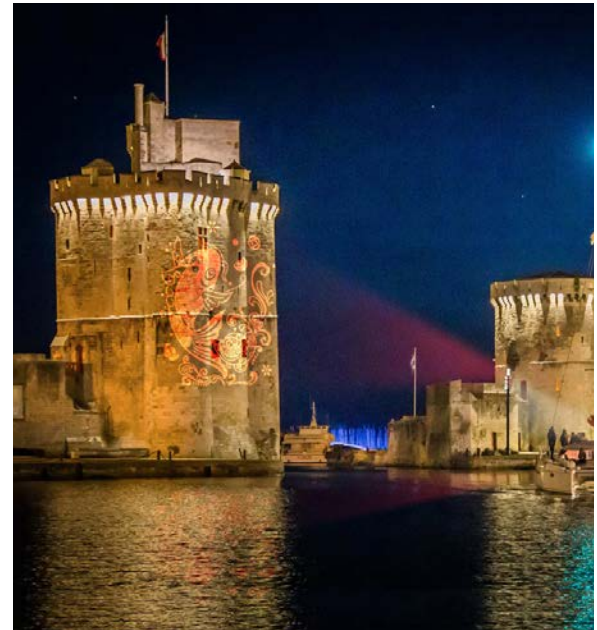
Additional Options (Consult Factory For Pricing)



A50181
24" Arm Pedestal



A50281
24" Arm Threaded
Knuckle



UOD-50021

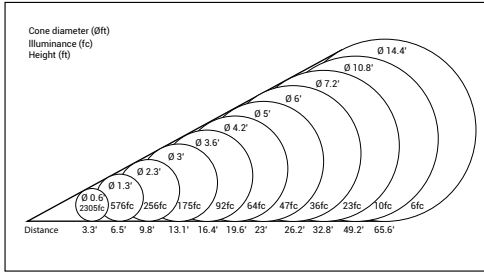
Odessa 2 GOBO Medium Floodlight Projector

PROJECT		DATE	
QUANTITY		TYPE	
		NOTE	

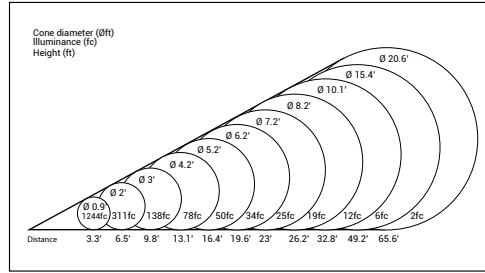
ORDERING EXAMPLE || UOD-50021 - 45w - N - W65 - 03 - 120/277v

UOD-50021					
LAMP	BEAM	LED COLOR	FINISH COLOR	VOLTAGE	
45w COB 2000 Lumens	N - Narrow 12° M - Medium 18° W - Wide 32°	W65 - 6500K	01 - BLACK RAL 9011 02 - DARK GREY RAL 7043 03 - WHITE RAL 9003 04 - METALLIC SILVER RAL 9006 05 - MATTE SILVER RAL 9006 06 - LIGMAN BRONZE 07 - CUSTOM RAL	120/277v Other - Specify	

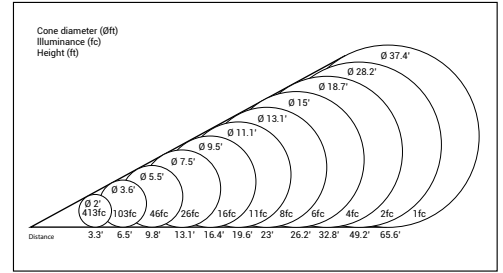
ODESSA 2-G (Narrow)



ODESSA 2-G (Medium)



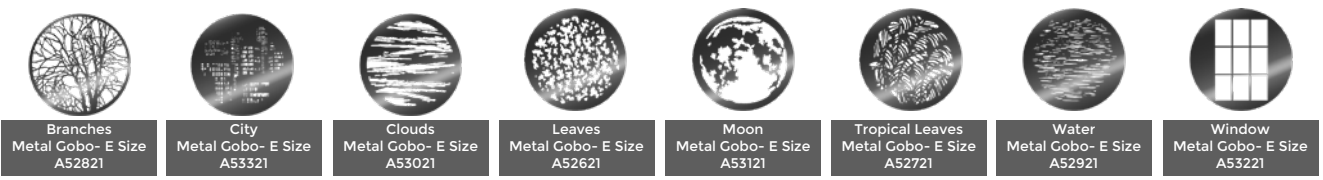
ODESSA 2-G (Wide)



--	--	--	--	--	--	--	--

ADDITIONAL OPTIONS

- | | | |
|---|--------------------------------|--------------------------|
| DIM - 0-10v Dimming | TREE STRAP | POLE CLAMP |
| NAT - Natatorium Rated | ODTS17 - 11" to 17" DIA | PC4 - 4" Clamp |
| A50181 - Surface Pedestal 24" Extended Arm | ODTS21 - 16" to 21" DIA | PC45 - 4.5" Clamp |
| A50281 - 1/2" Threaded 24" Extended Arm | ODTS27 - 21" to 27" DIA | PC5 - 5" Clamp |
| | ODTS32 - 26" to 32" DIA | PD55 - 5.5" Clamp |



Custom laser cut GOBOS and glass colored GOBOS also available. Consult factory for more information



Narrow Beam Projection



Surface 9.8'
From Odessa



Surface 13.1'
From Odessa



Surface 16.4'
From Odessa



Surface 19.6'
From Odessa



Surface 23'
From Odessa



Surface 26.2'
From Odessa



Surface 32.8'
From Odessa



Surface 49.2'
From Odessa

Odessa Product Family



Odessa 1

- UOD-80001-21w-1688lm
- UOD-80002-11w-816lm



Odessa 2

- UOD-80011-36w-3458lm
- UOD-80012-27w-2005lm



Odessa 1

- UOD-50001-21w-1688lm
- UOD-50002-11w-816lm



Odessa 2

- UOD-50011-36w-3458lm
- UOD-50011-40w-3695lm
- UOD-50011-43w-4042lm
- UOD-50012-27w-2005lm



Odessa 2-G

- UOD-50021-45w-1184lm



Odessa 1

- UOD-50051-21w-1688lm
- UOD-50052-11w-816lm



Odessa 2

- UOD-50061-36w-3458lm
- UOD-50061-40w-3695lm
- UOD-50061-43w-4042lm
- UOD-50062-27w-2005lm



Odessa 2-G

- UOD-50031-45w-1184lm



Odessa 1

- UOD-50071-21w-1688lm
- UOD-50072-11w-816lm



Odessa 2

- UOD-50081-36w-3458lm
- UOD-50081-40w-3695lm
- UOD-50081-43w-4042lm
- UOD-50082-27w-2005lm



Odessa 2-G

- UOD-50041-45w-1184lm



Odessa 1

- UOD-30001-3x21w-3x1673lm
- UOD-30002-3x11w-3x816lm



Odessa 2

- UOD-30011-3x36w-3x3326lm
- UOD-30011-3x40w-3x3695lm
- UOD-30011-3x43w-3x4042lm
- UOD-30012-3x27w-3x2005lm



Odessa 1

- UOD-21001-3x21w-3x1673lm
- UOD-21002-6x21w-6x1673lm
- UOD-21003-3x11w-3x816lm
- UOD-21004-6x11w-6x816lm



Odessa 2

- UOD-21011-3x36w-3x3326lm
- UOD-21011-3x40w-3x3695lm
- UOD-21011-3x43w-3x4042lm
- UOD-21012-6x36w-6x3326lm
- UOD-21012-6x40w-6x3695lm
- UOD-21012-6x43w-6x4042lm
- UOD-21013-3x27w-3x2005lm
- UOD-21014-6x27w-6x2005lm



Odessa 2

- UOD-21021-4x36w-3x3326lm [13]
- UOD-21023-4x36w-3x3326lm [20]
- UOD-21025-4x36w-3x3326lm [26]
- UOD-21026-4x28w-3x2005lm [13]
- UOD-21027-4x28w-3x2005lm [20]
- UOD-21028-4x28w-3x2005lm [26]



Odessa 2

- UOD-21031-4x36w-3x3326lm [15]
- UOD-21033-4x36w-3x3326lm [22]
- UOD-21035-4x36w-3x3326lm [28]
- UOD-21036-4x28w-3x2005lm [13]
- UOD-21037-4x28w-3x2005lm [20]
- UOD-21038-4x28w-3x2005lm [26]



Odessa 11

- UOD-50131-70w-8038lm
- UOD-50132-55w-6310lm
- UOD-50133-55w-6890lm
- UOD-50134-50w-5433lm



Odessa 12

- UOD-50141-60w-5000lm
- UOD-50142-33w-RCBW-1432lm
- UOD-50143-44w-3665lm
- UOD-50144-44w-RCBW-1909lm



Odessa 13

- UOD-50151-70w-8038lm
- UOD-50152-55w-6310lm
- UOD-50153-55w-6890lm
- UOD-50154-50w-5433lm



Odessa 14

- UOD-50161-60w-5000lm
- UOD-50162-33w RGBW-1432lm
- UOD-50163-44w-3665lm
- UOD-50164-44w RGBW-1910lm



Odessa 15

- UOD-50171-70w-8038lm
- UOD-50172-55w-6310lm
- UOD-50173-60w-6890lm
- UOD-50174-50w-5433lm



Odessa 16

- UOD-50181-60w-5000lm
- UOD-50182-33w RGBW-1432lm
- UOD-50183-44w-3665lm
- UOD-50184-44w RGBW-1910lm



Odessa 17

- UOD-80021-70w-8038lm
- UOD-80022-55w-6310lm
- UOD-80023-55w-6890lm
- UOD-80024-55w-5433lm



Odessa 18

- UOD-80031-60w-5000lm
- UOD-80032-33w RGBW-1432lm
- UOD-80033-44w-3665lm
- UOD-80034-44w RGBW-1910lm



Odessa 19

- UOD-21041-3x70w-3x8038lm
- UOD-21042-6x70w-6x8038lm
- UOD-21043-3x55w-3x6310lm
- UOD-21044-6x55w-6x6310lm
- UOD-21045-6x60w-6x6890lm
- UOD-21046-6x60w-6x6890lm
- UOD-21047-6x50w-6x5433lm
- UOD-21048-6x50w-6x5433lm



Odessa 20

- UOD-21051-3x60w-3x5000lm
- UOD-21052-6x60w-6x5000lm
- UOD-21053-3x33w RGBW-3x1432lm
- UOD-21054-6x33w RGBW-6x1432lm
- UOD-21055-3x44w-3x3665lm
- UOD-21056-6x44w-6x3665lm
- UOD-21057-3x44w RGBW-3x1910lm
- UOD-21058-6x44w RGBW-6x1910lm



Odessa 21

- UOD-21061-4x70w-4x8038lm [13']
- UOD-21062-4x70w-4x8038lm [20']
- UOD-21063-4x70w-4x8038lm [26']
- UOD-21064-4x55w-4x6310lm [13']
- UOD-21065-4x55w-4x6310lm [20']
- UOD-21066-4x55w-4x6310lm [26']
- UOD-21071-4x60w-4x6890lm [13']
- UOD-21072-4x60w-4x6890lm [20']
- UOD-21073-4x60w-4x6890lm [26']
- UOD-21077-4x44w-4x3665lm [13']
- UOD-21078-4x44w-4x3665lm [20']
- UOD-21079-4x44w-4x3665lm [26']



Odessa 22

- UOD-21074-4x33w-8038lm [13']
- UOD-21075-4x33w-6310lm [20']
- UOD-21076-4x33w-6890lm [26']
- UOD-21101-4x44w-5433lm [13']
- UOD-21102-4x44w-5433lm [20']
- UOD-21103-55w-5433lm [26']



Odessa 23

- UOD-21081-4x70w-4x8038lm [13']
- UOD-21082-4x70w-4x8038lm [20']
- UOD-21083-4x70w-4x8038lm [26']
- UOD-21084-4x55w-4x6310lm [13']
- UOD-21085-4x55w-4x6310lm [20']
- UOD-21086-4x55w-4x6310lm [26']
- UOD-21091-4x60w-4x6890lm [13']
- UOD-21092-4x60w-4x6890lm [20']
- UOD-21093-4x60w-4x6890lm [26']
- UOD-21097-4x44w-4x3665lm [13']
- UOD-21098-4x44w-4x3665lm [20']
- UOD-21099-4x44w-4x3665lm [26']



Odessa 24

- UOD-21094-4x33w RGBW-4x1432lm
- UOD-21095-4x33w RGBW-4x1432lm
- UOD-21096-4x33w RGBW-4x1432lm
- UOD-21111-4x44w RGBW-4x3665lm
- UOD-21112-4x44w RGBW-4x3665lm
- UOD-21113-4x44w RGBW-4x3665lm