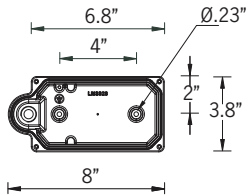
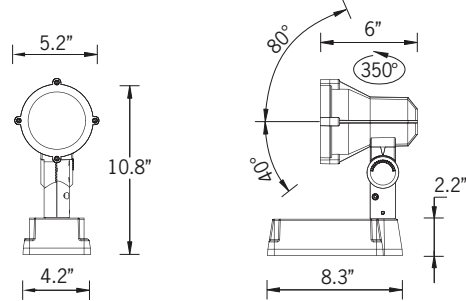


# UMI-50375

## Mic 1 Small Floodlight



21w LED 1798 Lumens  
IP65 • Suitable For Wet Locations  
IK07 • Impact Resistant  
Weight 5.5 lbs



Mounting Detail

### Construction

#### Aluminum

Less than 0.1% copper content – Marine Grade 6060 extruded & LM6 Aluminum High Pressure die casting provides excellent mechanical strength, clean detailed product lines and excellent heat dissipation.

#### Pre paint

8 step degrease and phosphate process that includes deoxidizing and etching as well as a zinc and nickel phosphate process before product painting.

#### Memory Retentive -Silicon Gasket

Provided with special injection molded “fit for purpose” long life high temperature memory retentive silicon gaskets. Maintains the gaskets exact profile and seal over years of use and compression.

#### Thermal management

LM6 Aluminum is used for its excellent mechanical strength and thermal dissipation properties in low and high ambient temperatures. The superior thermal heat sink design by Ligman used in conjunction with the driver, controls thermals below critical temperature range to ensure maximum luminous flux output, as well as providing long LED service life and ensuring less than 10% lumen depreciation at 50,000 hours.

#### Surge Suppression

Standard 10kv surge suppressor provided with all fixtures.

#### BUG Rating

B5 - U5 - G5

#### Finishing

All Ligman products go through an extensive finishing process that includes fettling to improve paint adherence.

#### Paint

UV Stabilized 4.9Mil thick powder coat paint and baked at 200 Deg C. This process ensures that Ligman products can withstand harsh environments. Rated for use in natatoriums.

#### Hardware

Provided Hardware is Marine grade 316 Stainless steel.

#### Anti Seize Screw Holes

Tapped holes are infused with a special anti seize compound designed to prevent seizure of threaded connections, due to electrolysis from heat, corrosive atmospheres and moisture.

#### Crystal Clear Low Iron Glass Lens

Provided with tempered, impact resistant crystal clear low iron glass ensuring no green glass tinge.

#### Optics & LED

Precise optic design provides exceptional light control and precise distribution of light. LED CRI > 80

#### Lumen - Maintenance Life

L80 /B10 at 50,000 hours (This means that at least 90% of the LED still achieve 80% of their original flux)

**Adjustable fixed-base spotlight family. Popular identity, available in four casting sizes and various mounting, shielding and control options.**

A small medium and large range of floodlights designed to use high power LEDs. This luminaire has specialized optics that have been designed by Ligman, in conjunction with internationally recognized optic designers to provide excellent light control, beam distribution and intensities by focusing each optic around the small LEDs to provide perfect focus and distribution.

This luminaire can be provided with a variety of anti-glare and light control attachments. The aim and lock feature provides a sturdy mechanism that allows for precise fixture aiming and locking into position.

The waterproof driver box is situated at the bottom of the luminaire and has all the necessary gasketing to ensure a water tight compartment for drivers and wiring. This fixture is provided with a specially designed internal waterproof gland for incoming power.

The fixture is suitable for mounting on walls, concrete surfaces and is also available with a ground spike. These floodlights are designed to illuminate plants, architectural details and sign boards.

### Additional Options (Consult Factory For Pricing)



A50131 Anti Glare Visor

A51531 Anti Glare Hood

A50141 Ground Spike

CRL Concentric Ring Louvre



LSL Linear Spread Lens



# UMI-50375

Mic 1 Small Floodlight



<b>PROJECT</b>		<b>DATE</b>	
----------------	--	-------------	--

<b>QUANTITY</b>		<b>TYPE</b>		<b>NOTE</b>	
-----------------	--	-------------	--	-------------	--

ORDERING EXAMPLE || UMI - 50375 - 21w - VN - W30 - 02 - 120/277v - Options

<b>UMI-50375</b>					
<b>LAMP</b>	<b>BEAM</b>	<b>LED COLOR</b>	<b>FINISH COLOR</b>	<b>VOLTAGE</b>	
21w LED 1798 Lumens	VN - Very Narrow 8°	W27 - 2700K W30 - 3000K W35 - 3500K W40 - 4000K	01 - BLACK RAL 9011 02 - DARK GREY RAL 7043 03 - WHITE RAL 9003 04 - METALLIC SILVER RAL 9006 05 - MATTE SILVER RAL 9006 06 - LIGMAN BRONZE 07 - CUSTOM RAL	120/277v Other - Specify	

--	--	--	--

## ADDITIONAL OPTIONS

- |                              |                            |                                 |
|------------------------------|----------------------------|---------------------------------|
| A50131 - Anti Glare Visor    | LSL - Linear Spread Louvre | TS - Tree Strap                 |
| A51531 - Anti Glare Hood     | HEX - Hexcell Louvre       | NAT - Natatorium Rated          |
| A50141 - Ground Spike        | F - Frosted Lens           | AMB - Turtle Friendly Amber LED |
| CRL - Concentric Ring Louvre | DIM - 0-10v Dimming        |                                 |

\* Anti Glare Hood and Anti Glare Visor can't be combined, choose one



# Mic Product Family



Mic 1

- UMI-50371-13w-1099lm
- UMI-50373-20w-2064lm
- UMI-50375-21w-1798lm



Mic 3

- UMI-50381-29w-3081lm
- UMI-50383-38w-4265lm
- UMI-50385-33w-3230lm
- UMI-50384-33w RGBW-1536lm



Mic 5

- UMI-50391-38w-4172lm
- UMI-50393-51w-6140lm



Mic 2

- UMI-50411-13w-1025lm
- UMI-50413-21w-2064lm
- UMI-50415-21w-1798lm



Mic 4

- UMI-50421-29w-3081lm
- UMI-50423-38w-4144lm
- UMI-50425-33w-3230lm



Mic 6

- UMI-50431-38w-4172lm
- UMI-50433-51w-6140lm



Mic 7

- UMI-50441-13w-1025lm
- UMI-50443-21w-2022lm
- UMI-50445-21w-1798lm



Mic 8

- UMI-50451-29w-3081lm
- UMI-50453-38w-4144lm
- UMI-50455-33w-3230lm



Mic 9

- UMI-50461-38w-4172lm
- UMI-50463-51w-6140lm



Mic 3 Cluster

- UMI-21051-6x29w-6x3081lm
- UMI-21052-6x38w-6x4144lm
- UMI-21053-6x33w-6x3230lm