

# ULD-20001

## Lador Cluster Column



### Construction

#### Aluminum

Less than 0.1% copper content - Marine Grade 6060 extruded & LM6 Aluminum High Pressure die casting provides excellent mechanical strength, clean detailed product lines and excellent heat dissipation.

#### Pre paint

8 step degrease and phosphate process that includes deoxidizing and etching as well as a zinc and nickel phosphate process before product painting.

#### Memory Retentive -Silicon Gasket

Provided with special injection molded "fit for purpose" long life high temperature memory retentive silicon gaskets. Maintains the gaskets exact profile and seal over years of use and compression.

#### Thermal management

LM6 Aluminum is used for its excellent mechanical strength and thermal dissipation properties in low and high ambient temperatures. The superior thermal heat sink design by Ligman used in conjunction with the driver, controls thermals below critical temperature range to ensure maximum luminous flux output, as well as providing long LED service life and ensuring less than 10% lumen depreciation at 50,000 hours.

#### Surge Suppression

Standard 10kv surge suppressor provided with all fixtures.

#### BUG Rating

Contact Factory

#### Finishing

All Ligman products go through an extensive finishing process that includes fettling to improve paint adherence.

#### Paint

UV Stabilized 4.9Mil thick powder coat paint and baked at 200 Deg C. This process ensures that Ligman products can withstand harsh environments. Rated for use in natatoriums.

#### Hardware

Provided Hardware is Marine grade 316 Stainless steel.

#### Anti Seize Screw Holes

Tapped holes are infused with a special anti seize compound designed to prevent seizure of threaded connections, due to electrolysis from heat, corrosive atmospheres and moisture.

#### Crystal Clear Low Iron Glass Lens

Provided with tempered, impact resistant crystal clear low iron glass ensuring no green glass tinge.

#### Optics & LED

Precise optic design provides exceptional light control and precise distribution of light. LED CRI > 80

#### Lumen - Maintenance Life

L80 /B10 at 50,000 hours (This means that at least 90% of the LED still achieve 80% of their original flux)

**Adjustable column architectural cluster solution. Flexible project solutions in attractive cluster arrangements using the square-form architectural Lador spotlight range.**

A range of square outdoor IP66 floodlight projectors that meets both aesthetic and functional applications. This cubic floodlight range is available with 4 different sizes, starting with a small 2.4" square profile at 3w, and increases proportionately to 3" at 11w, 4.5" at 21w and 5.5" square at 40w. This glare free luminaire is available in Narrow 10° beam, Medium 19°, Wide 33°, Very Wide 71° and Elliptical 41°x14° beam patterns.

This luminaire is engineered to meet harsh outdoor environments, as well as being able to be used as a decorative indoor product.

The Lador is provided with an integral driver and has accessories that include; dichroic color filters, linear spread lens, honeycomb louvres and anti-glare visors.

This floodlight also has a unique aiming and locking system for precise mounting and beam aiming.

The Lador product family consists of; floodlights, wall sconces, ceiling mounted squares and cluster column event poles.

This luminaire is available with a natatorium rated coating.

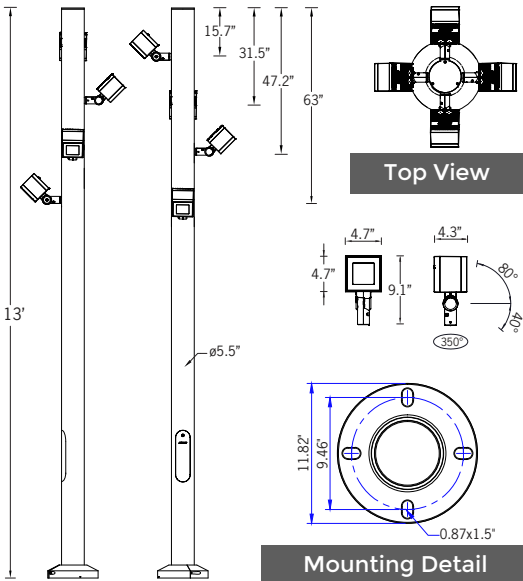
Heights for Lador Cluster Columns

**ULD-20001 - 13 feet**

**ULD-20002 - 20 feet**

**ULD-20003 - 26 feet**

4x37w LED - 4x3500 Lumens  
IP65 • Suitable For Wet Locations  
IK08 • Impact Resistant (Vandal Resistant)  
Weight 45.8 lbs



### Additional Options (Consult Factory For Pricing)



# ULD-20001

## Lador Cluster Column

<b>PROJECT</b>		<b>DATE</b>	
----------------	--	-------------	--

<b>QUANTITY</b>		<b>TYPE</b>		<b>NOTE</b>	
-----------------	--	-------------	--	-------------	--

ORDERING EXAMPLE || ULD - 20001 - 4x37w - M - W30 - 02 - 120/277v - Options

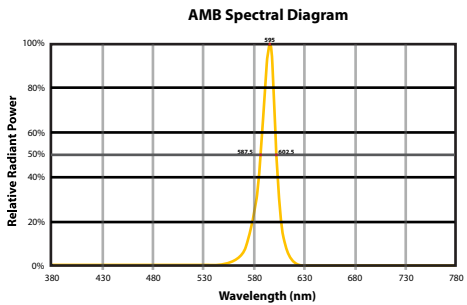
<b>ULD-20001</b>						
<b>LAMP</b>	<b>BEAM</b>	<b>LED COLOR</b>	<b>FINISH COLOR</b>	<b>VOLTAGE</b>		
4x37w LED 4x3500 Lumens	N - Narrow 10° M - Medium 19° W - Wide 33° VW - Very Wide 71° E - Elliptical 41° x 14°	W27 - 2700K W30 - 3000K W35 - 3500K W40 - 4000K	01 - BLACK RAL 9011 02 - DARK GREY RAL 7043 03 - WHITE RAL 9003 04 - METALLIC SILVER RAL 9006 05 - MATTE SILVER RAL 9006 06 - LIGMAN BRONZE 07 - CUSTOM RAL	120/277v Other - Specify		

--	--	--	--

### ADDITIONAL OPTIONS

- |                             |                                 |                               |
|-----------------------------|---------------------------------|-------------------------------|
| DIM - 0-10v Dimming         | A52121 - Honeycomb Louvre       | <b>DICHROIC COLOR FILTERS</b> |
| NAT - Natatorium Rated      | A20691 - Root Mount Kit         | A51416 - Red Color Filter     |
| F - Frosted Lens            | A53131 - Anti Glare Visor       | A51417 - Blue Color Filter    |
| A51414 - Linear Spread Lens | AMB - Turtle Friendly Amber LED | A51418 - Amber Color Filter   |
|                             |                                 | A51419 - Green Color Filter   |

### CITY OF FLAGSTAFF & TURTLE FRIENDLY COMPLIANT



**Narrow-Spectrum Amber LEDs**  
 Peak wavelength between 585 & 595 nanometers and a full width of 50% power no greater than 15 nanometers.

# Lador Product Family



Lador 1

- ULD-50001-3w-222lm
- ULD-50002-6w RGBW-253lm



Lador 2

- ULD-50011-11w-904lm
- ULD-50012-13w RGBW-568lm



Lador 3

- ULD-50021-21w-1975lm
- ULD-50022-18w RGBW-1016lm



Lador 4

- ULD-50031-39w-3568lm
- ULD-50032-36w RGBW-1929lm



Lador 5

- ULD-30001-3w-222lm



Lador 6

- ULD-30011-11w-904lm



Lador 7

- ULD-30021-11w-904lm



Lador 8

- ULD-30031-39w-3568lm



Lador 9

- ULD-80001-3w-222lm



Lador 10

- ULD-80011-11w-904lm



Lador 11

- ULD-80021-21w-1975lm



Lador 12

- ULD-80031-39w-3568lm



Lador 13/14/15

- ULD-20001-4x37w-4x3500lm [13'] Round
- ULD-20002-4x37w-4x3500lm [20'] Round
- ULD-20003-4x37w-4x3500lm [26'] Round
- ULD-20011-4x21w-4x1975lm [13']
- ULD-20021-4x39w-4x3568lm [13']
- ULD-20012-4x21w-4x1975lm [20']
- ULD-20022-4x39w-4x3568lm [20']
- ULD-20011-4x21w-4x1975lm [26']
- ULD-20011-4x39w-4x3568lm [26']



Lador 1 TKM

- ULD-50041-3w-222lm



Lador 2 TKM

- ULD-50051-11w-904lm



Lador 3 TKM

- ULD-50061-21w-1975lm



Lador 4 TKM

- ULD-50071-39w-3568lm



Lador 20

- ULD-50081-3w-222lm



Lador 21

- ULD-50091-11w-904lm



Lador 22

- ULD-50101-21w-1975lm



Lador 23

- ULD-50111-39w-3568lm