

ULD-50071

Lador 4 Threaded Knuckle Floodlight



Mounting Options



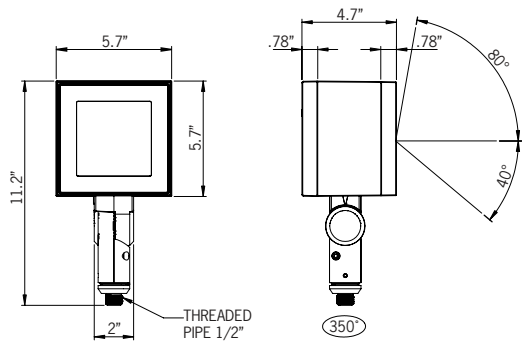
Yoke Mount (ULD-50031)



Pedestal Mount (ULD-50111)



39w LED 3568 Lumens
IP66 • Suitable For Wet Locations
IK08 • Impact Resistant (Vandal Resistant)
Weight 7.3 lbs



Construction

Aluminum
 Less than 0.1% copper content – Marine Grade 6060 extruded & LM6 Aluminum High Pressure die casting provides excellent mechanical strength, clean detailed product lines and excellent heat dissipation.

Pre paint
 8 step degrease and phosphate process that includes deoxidizing and etching as well as a zinc and nickel phosphate process before product painting.

Memory Retentive -Silicon Gasket
 Provided with special injection molded "fit for purpose" long life high temperature memory retentive silicon gaskets. Maintains the gaskets exact profile and seal over years of use and compression.

Thermal management
 LM6 Aluminum is used for its excellent mechanical strength and thermal dissipation properties in low and high ambient temperatures. The superior thermal heat sink design by Ligman used in conjunction with the driver, controls thermals below critical temperature range to ensure maximum luminous flux output, as well as providing long LED service life and ensuring less than 10% lumen depreciation at 50,000 hours.

Surge Suppression
 Standard 10kv surge suppressor provided with all fixtures.

BUG Rating
 B5 - U5 - G5

Finishing
 All Ligman products go through an extensive finishing process that includes fettling to improve paint adherence.

Paint
 UV Stabilized 4.9Mil thick powder coat paint and baked at 200 Deg C. This process ensures that Ligman products can withstand harsh environments. Rated for use in natatoriums.

Inspired by Nature Finishes
 The Inspired by nature Finishing is a unique system of decorative powder coating. Our metal decoration process can easily transform the appearance of metal or aluminum product into a wood grain finish.

This patented technology enables the simulation of wood grain, and even marble or granite finish through the use of decorative powder coating.

The wood grain finish is so realistic that it's almost undistinguishable from real wood, even from a close visual inspection. The system of coating permeates the entire thickness of the coat and as a result, the coating cannot be removed by normal rubbing, chipping, or scratching.

The Coating Process
 After pre-treatment the prepared parts are powder coated with a specially formulated polyurethane powder. This powder provides protection against wear, abrasion, impact and corrosion and acts as the relief base color for the finalized metal decoration.

The component is then wrapped with a sheet of non-porous film with the selected decoration pattern printed on it using special high temperature inks.

This printed film transfer is vacuum-sealed to the surface for a complete thermo print and then transferred into a customized oven. The oven transforms the ink into different forms within the paint layer before it becomes solid. Finally, the film is removed, and a vivid timber look on aluminum remains.

Wood grain coating can create beautiful wood-looking products of any sort. There are over 300 combinations of designs currently in use. Wood grains can be made with different colors, designs, etc.

Our powder coatings are certified for indoor and outdoor applications and are backed by a comprehensive warranty. These coatings rise to the highest conceivable standard of performance excellence and design innovation.

- Added Benefits**
- Resistance to salt-acid room, accelerated aging
 - Boiling water, lime and condensed water resistant
 - Anti-Graffiti, Anti-Slip, Anti-Microbial, Anti-Scratch
 - Super durable (UV resistant)
 - TGIC free (non-toxic)

Hardware
 Provided Hardware is Marine grade 316 Stainless steel.

Anti Seize Screw Holes
 Tapped holes are infused with a special anti seize compound designed to prevent seizure of threaded connections, due to electrolysis from heat, corrosive atmospheres and moisture.

Crystal Clear Low Iron Glass Lens
 Provided with tempered, impact resistant crystal clear low iron glass ensuring no green glass tinge.

Optics & LED
 Precise optic design provides exceptional light control and precise distribution of light. LED CRI > 80

Lumen - Maintenance Life
 L80 /B10 at 50,000 hours (This means that at least 90% of the LED still achieve 80% of their original flux)

Square surface architectural floodlight range. Four sizes of square artistic precision with wide range of beam distributions.

A range of square outdoor IP66 floodlight projectors that meets both aesthetic and functional applications. This cubic floodlight range is available with 4 different sizes, starting with a small 2.4" square profile, and increases proportionately to 3", 4.5" and 5.5" square. This glare free luminaire is available in Narrow 10° beam, Medium 19°, Wide 33°, Very Wide 71° and Elliptical 41°x14° beam patterns.

This luminaire is engineered to meet harsh outdoor environments, as well as being able to be used as a decorative indoor product. The Lador is provided with an integral driver and has accessories that include; dichroic color filters, linear spread lens, honeycomb louvres and anti-glare visors.

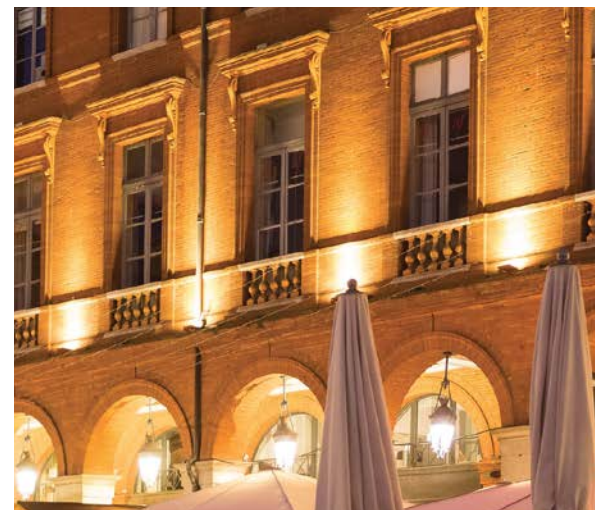
This floodlight also has a unique aiming and locking system for precise mounting and beam aiming.

The Lador product family consists of; floodlights, wall sconces, ceiling mounted squares and cluster column event poles.

This luminaire is available with a natatorium rated coating.

Additional Options (Consult Factory For Pricing)

A51414 Linear Spread	A52121 Honeycomb Louvre	A53131 Anti Glare Visor
Dichroic Color Filters	A50181 24" Arm Pedestal	A50281 24" Arm Threaded Knuckle



ULD-50071

Lador 4 Threaded Knuckle Floodlight

PROJECT		DATE	
----------------	--	-------------	--

QUANTITY		TYPE		NOTE	
-----------------	--	-------------	--	-------------	--

ORDERING EXAMPLE || ULD-50071-39w LED - N - W30 - 02 - 120/277v

ULD-50071																										
LAMP	BEAM	LED COLOR	FINISH COLOR	VOLTAGE																						
39w LED 3568 lm	N - Narrow 10° M - Medium 19° W - Wide 33° VW - Very Wide 71° E - Elliptical 41° x 14°	W27 - 2700K W30 - 3000K W35 - 3500K W40 - 4000K	01 - BLACK RAL 9011 02 - DARK GREY RAL 7043 03 - WHITE RAL 9003 04 - METALLIC SILVER RAL 9006 05 - MATTE SILVER RAL 9006 06 - LIGMAN BRONZE 07 - CUSTOM RAL	120/277v Other - Specify																						
INSPIRED BY NATURE FINISHES																										
<table style="width: 100%; border-collapse: collapse;"> <tr> <td style="width: 80%;">SW01 - OAK FINISH</td> <td style="width: 10%;"></td> <td rowspan="10" style="width: 10%; vertical-align: middle; font-size: 8px;">THERE IS AN ADDITIONAL COST FOR THESE FINISHES</td> </tr> <tr> <td>SW02 - WALNUT FINISH</td> <td></td> </tr> <tr> <td>SW03 - PINE FINISH</td> <td></td> </tr> <tr> <td>DF - DOUGLAS FIR FINISH</td> <td></td> </tr> <tr> <td>CW - CHERRY WOOD FINISH</td> <td></td> </tr> <tr> <td>NW - NATIONAL WALNUT FINISH</td> <td></td> </tr> <tr> <td>SU01 - CONCRETE FINISH</td> <td></td> </tr> <tr> <td>SU02 - SOFTSCAPE FINISH</td> <td></td> </tr> <tr> <td>SU03 - STONE FINISH</td> <td></td> </tr> <tr> <td>SU04 - CORTEN FINISH</td> <td></td> </tr> </table>						SW01 - OAK FINISH		THERE IS AN ADDITIONAL COST FOR THESE FINISHES	SW02 - WALNUT FINISH		SW03 - PINE FINISH		DF - DOUGLAS FIR FINISH		CW - CHERRY WOOD FINISH		NW - NATIONAL WALNUT FINISH		SU01 - CONCRETE FINISH		SU02 - SOFTSCAPE FINISH		SU03 - STONE FINISH		SU04 - CORTEN FINISH	
SW01 - OAK FINISH		THERE IS AN ADDITIONAL COST FOR THESE FINISHES																								
SW02 - WALNUT FINISH																										
SW03 - PINE FINISH																										
DF - DOUGLAS FIR FINISH																										
CW - CHERRY WOOD FINISH																										
NW - NATIONAL WALNUT FINISH																										
SU01 - CONCRETE FINISH																										
SU02 - SOFTSCAPE FINISH																										
SU03 - STONE FINISH																										
SU04 - CORTEN FINISH																										

--	--	--	--

ADDITIONAL OPTIONS

- | | | |
|---|--|---|
| <p>NAT - Natatorium Rated</p> <p>A51414 - Linear Spread Lens</p> <p>A52121 - Honeycomb Louvre</p> <p>A53131 - Anti Glare Visor</p> | <p>DIM - 0-10v Dimming</p> <p>AMB - Turtle Friendly Amber LED</p> <p>A50181 - Surface Pedestal 24" Extended Arm</p> <p>A50281 - 1/2" Threaded 24" Extended Arm</p> | <p>DICHROIC COLOR FILTERS</p> <p>A51416 - Red Color Filter</p> <p>A51417 - Blue Color Filter</p> <p>A51418 - Amber Color Filter</p> <p>A51419 - Green Color Filter</p> |
|---|--|---|

More Custom Finishes Available Upon Request

Consult factory for pricing and lead times



Lador Product Family



Lador 1

- ULD-50001-3w-222lm
- ULD-50002-4w RGBW-170lm



Lador 2

- ULD-50011-11w-904lm
- ULD-50012-10w RGBW-520lm



Lador 3

- ULD-50021-21w-1975lm
- ULD-50022-22w RGBW-1133lm



Lador 4

- ULD-50031-39w-3568lm
- ULD-50032-28w RGBW-1600lm



Lador 5/50

- ULD-30001-3w-222lm
- ULD-30041-4w RGBW-170lm



Lador 6/51

- ULD-30011-11w-904lm
- ULD-30051-10w RGBW-520lm



Lador 7/52

- ULD-30021-11w-904lm
- ULD-30061-22w RGBW-1133lm



Lador 8/53

- ULD-30031-39w-3568lm
- ULD-30071-28w RGBW-1600lm



Lador 9/32

- ULD-80001-3w-222lm
- ULD-80041-4w RGBW-170lm



Lador 10/33

- ULD-80011-11w-904lm
- ULD-80051-10w RGBW-520lm



Lador 11/34

- ULD-80021-21w-1975lm
- ULD-80061-22w RGBW-1133lm



Lador 12/35

- ULD-80031-39w-3568lm
- ULD-80071-28w RGBW-1600lm



Lador 13/14/15

- ULD-20011-4x21w-4x1975lm [13]
- ULD-20021-4x39w-4x3568lm [13]
- ULD-20012-4x21w-4x1975lm [19.6]
- ULD-20022-4x39w-4x3568lm [19.6]
- ULD-20011-4x21w-4x1975lm [26.2]
- ULD-20011-4x39w-4x3568lm [26.2]



Lador 1 TKM

- ULD-50041-3w-222lm



Lador 2 TKM

- ULD-50051-11w-904lm



Lador 3 TKM

- ULD-50061-21w-1975lm



Lador 4 TKM

- ULD-50071-39w-3568lm



Lador 20/42

- ULD-50081-3w-222lm
- ULD-50201-4w RGBW-170lm



Lador 21/43

- ULD-50091-11w-904lm
- ULD-50211-10w-520lm



Lador 22/44

- ULD-50101-21w-1975lm
- ULD-50221-22w RGBW-1133lm



Lador 23

- ULD-50111-39w-3568lm
- ULD-50231-28w RGBW-1600lm