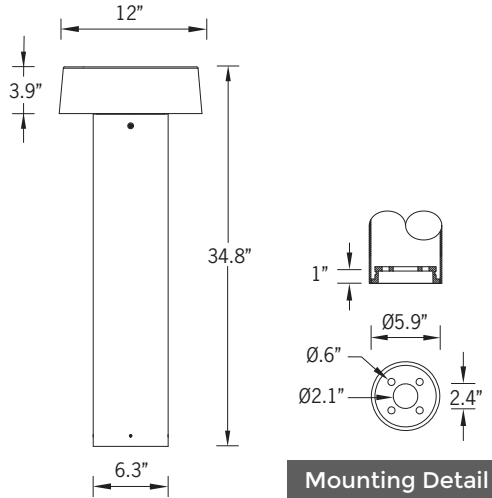




39w COB 2814 Lumens
 IP65 • Suitable For Wet Locations
 IK08 • Impact Resistant (Vandal Resistant)
 Weight 19.8 lbs



Construction

Aluminum
 Less than 0.1% copper content – Marine Grade 6060 extruded & LM6 Aluminum High Pressure die casting provides excellent mechanical strength, clean detailed product lines and excellent heat dissipation.

Pre paint
 8 step degrease and phosphate process that includes deoxidizing and etching as well as a zinc and nickel phosphate process before product painting.

Memory Retentive -Silicon Gasket
 Provided with special injection molded "fit for purpose" long life high temperature memory retentive silicon gaskets. Maintains the gaskets exact profile and seal over years of use and compression.

Thermal management
 LM6 Aluminum is used for its excellent mechanical strength and thermal dissipation properties in low and high ambient temperatures. The superior thermal heat sink design by Ligman used in conjunction with the driver, controls thermal below critical temperature range to ensure maximum luminous flux output, as well as providing long LED service life and ensuring less than 10% lumen depreciation at 50,000 hours.

Surge Suppression
 Standard 10kv surge suppressor provided with all fixtures.

BUG Rating
 B2 - U0 - G0

Finishing
 All Ligman products go through an extensive finishing process that includes fettling to improve paint adherence.

Paint
 UV Stabilized 4.9Mil thick powder coat paint and baked at 200 Deg C. This process ensures that Ligman products can withstand harsh environments. Rated for use in natatoriums.

Inspired by Nature Finishes
 The Inspired by nature Finishing is a unique system of decorative powder coating. Our metal decoration process can easily transform the appearance of metal or aluminum product into a wood grain finish.

This patented technology enables the simulation of wood grain, and even marble or granite finish through the use of decorative powder coating.

The wood grain finish is so realistic that it's almost undistinguishable from real wood, even from a close visual inspection. The system of coating permeates the entire thickness of the coat and as a result, the coating cannot be removed by normal rubbing, chipping, or scratching.

The Coating Process
 After pre-treatment the prepared parts are powder coated with a specially formulated polyurethane powder. This powder provides protection against wear, abrasion, impact and corrosion and acts as the relief base color for the finalized metal decoration.

The component is then wrapped with a sheet of non-porous film with the selected decoration pattern printed on it using special high temperature inks.

This printed film transfer is vacuum-sealed to the surface for a complete thermo print and then transferred into a customized oven. The oven transforms the ink into different forms within the paint layer before it becomes solid. Finally, the film is removed, and a vivid timber look on aluminum remains.

Wood grain coating can create beautiful wood-looking products of any sort. There are over 300 combinations of designs currently in use. Wood grains can be made with different colors, designs, etc.

Our powder coatings are certified for indoor and outdoor applications and are backed by a comprehensive warranty. These coatings rise to the highest conceivable standard of performance excellence and design innovation.

- Added Benefits**
- Resistance to salt-acid room, accelerated aging
 - Boiling water, lime and condensed water resistant
 - Anti-Graffiti, Anti-Slip, Anti-Microbial, Anti-Scratch
 - Super durable (UV resistant)
 - TGIC free (non-toxic)

Hardware
 Provided Hardware is Marine grade 316 Stainless steel.

Anti Seize Screw Holes
 Tapped holes are infused with a special anti seize compound designed to prevent seizure of threaded connections, due to electrolysis from heat, corrosive atmospheres and moisture.

Optics & LED
 Precise optic design provides exceptional light control and precise distribution of light. LED CRI > 80

Lumen - Maintenance Life
 L80 /B10 at 50,000 hours (This means that at least 90% of the LED still achieve 80% of their original flux)

Robust shielded bollard family. Human-scale rural bollard aesthetic with an exquisite unidirectional lighting effect.

The innovative internal adjustable optic technology of the Lightzone bollard guarantees a high degree of efficiency and optimal visual comfort while fulfilling the dark sky criteria. Lightzone has been developed to have excellent controlled downward light eliminating any glare.

The Lightzone is available in a straight or taper shape design with two different heights. Designed for lighting of entrances and residential areas by providing wide spread illumination on driveways, pathways and squares. The Lightzone is provided with four, fully adjustable optics that allow the light to be focused in specific directions around the base of the bollard.

Color temperature 2700K, 3000K, 3500K and 4000K, LED CRI >80 and life time 50,000 Hours.

The Lightwave Bollard comes standard with a unique waterproof internal driver housing compartment that is situated at the top of the pole to stop water and dust from entering the electrical components.

This fixture is supplied completely wired with powercord and waterproof gland from the driver enclosure to the base of the bollard ensuring quick trouble-free installation.

Custom bollard heights are available on the straight bollard, please specify.

Security Bollard:
 This Bollard is available as a traffic rated security bollard. This optional design includes a 1/4" wall thickness galvanized steel security pole with 2 1" galvanized cross support rods that are embedded into concrete.

The standard security bollard provides restraint of vehicular traffic in unauthorized areas. Impact calculations shows this bollard will stop a 5,500lb/2.75 tons vehicle, travelling at 30mph. For additional strength, the galvanized pole must be filled with concrete up to the waterproof driver housing to provide a solid concrete barrier.

A K4 rated security bollard is also available. This bollard is provided with internal reinforcement and is to be filled with concrete at the job site by others. This bollard will stop a 15,000lb vehicle traveling at 30mph.

Additional Options (Consult Factory For Pricing)

<p>A12891 Security Bollard</p>	<p>SBK4 K4 Rated Security Bollard</p>	<p>A91591 Lockable In Use GFCI Receptacle Outlet Box</p>

ULZ-10894

Lightzone 2 Straight Bollard

PROJECT		DATE	
----------------	--	-------------	--

QUANTITY		TYPE		NOTE	
-----------------	--	-------------	--	-------------	--

ORDERING EXAMPLE || ULZ - 10894 - 39w - W30 - 02 - 120/277v - Options

ULZ-10894				
LAMP	39w COB 2814 Lumens	LED COLOR	W27 - 2700K W30 - 3000K W35 - 3500K W40 - 4000K	FINISH COLOR
				<div style="display: flex; flex-direction: column; gap: 5px;"> <div style="display: flex; align-items: center;">01 - BLACK RAL 9011 </div> <div style="display: flex; align-items: center;">02 - DARK GREY RAL 7043 </div> <div style="display: flex; align-items: center;">03 - WHITE RAL 9003 </div> <div style="display: flex; align-items: center;">04 - METALLIC SILVER RAL 9006 </div> <div style="display: flex; align-items: center;">05 - MATTE SILVER RAL 9006 </div> <div style="display: flex; align-items: center;">06 - LIGMAN BRONZE </div> <div style="display: flex; align-items: center;">07 - CUSTOM RAL </div> </div>
				<div style="display: flex; flex-direction: column; gap: 5px;"> <div style="display: flex; align-items: center;">120/277v </div> <div style="display: flex; align-items: center;">Other - Specify </div> </div>
				<div style="background-color: #e0f2f1; padding: 5px;"> <p style="margin: 0; font-size: 8px;">INSPIRED BY NATURE FINISHES</p> <div style="display: flex; flex-direction: column; gap: 5px;"> <div style="display: flex; align-items: center;">SW01 - OAK FINISH </div> <div style="display: flex; align-items: center;">SW02 - WALNUT FINISH </div> <div style="display: flex; align-items: center;">SW03- PINE FINISH </div> <div style="display: flex; align-items: center;">SU01 - CONCRETE FINISH </div> <div style="display: flex; align-items: center;">SU02 - SOFTSCAPE FINISH </div> <div style="display: flex; align-items: center;">SU03 - STONE FINISH </div> <div style="display: flex; align-items: center;">SU04 - CORTEN FINISH </div> </div> </div> <p style="font-size: 8px; margin-top: 5px;">THERE IS AN ADDITIONAL COST FOR THESE FINISHES</p>

ADDITIONAL OPTIONS		

- NAT - Natatorium Rated
- DIM - 0-10v Dimming
- A12891 - Security Bollard
- SBK4 - K4 Rated Security Bollard
- GFCI - GFCI Receptacle
- A91591 - Lockable In Use GFCI Receptacle Outlet Box

More Custom Finishes Available Upon Request

Consult factory for pricing and lead times



Lightzone Product Family



Lightzone 1

- ULZ-10891-39w-2814lm [22.8"]
- ULZ-10892-39w-2814lm [34.8"]



Lightzone 2

- ULZ-10893-39w-2814lm [22.8"]
- ULZ-10894-39w-2814lm [34.8"]