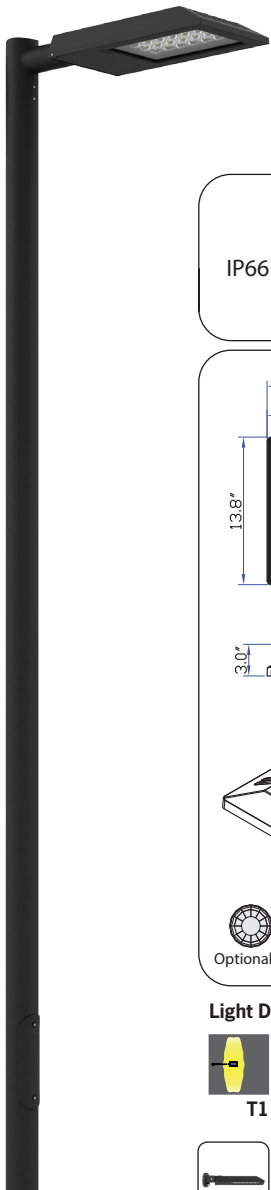


USE-90001

Steamer Medium

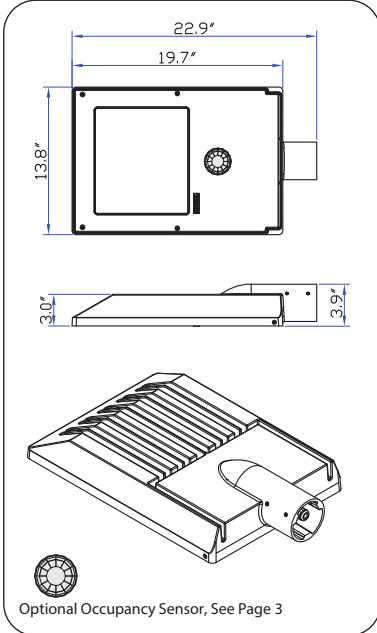


Street Light



Physical Data

IP66 • Suitable For Wet Locations
IK08 • Impact Resistant



Light Distribution Types



See Page 2 for Above Styles & Options

A slim wedge shaped, high pressure die-cast pole mounted area light with a variety of different light distributions to suit all lighting designer's requirements. This luminaire has been designed to provide excellent light distribution patterns using highly efficient LED packages and optics. The result is excellent spacing to mounting height ratios, with a uniform lighting layout that meets code requirements using less energy. The Steamer can be utilized to suit specific light patterns using the asymmetrical type II, III, IV and symmetrical lens optics, as well as variations of these for precise light distribution requirements. An example of this is using a combination of Type II & Type IV distribution optics inside the same fixture. Type V distributions in medium, wide, very wide & extra wide are also available.

This luminaire complies to dark sky requirements when mounted in the horizontal position. Designed for lighting private roadways, car parks, exhibition areas, service stations and truck stops. Internal house side shields are available as an option. Available with a selection of integral electronic and dimmable electronic drivers as well as a provision to install occupancy sensors, as well as wireless lighting controls to integrate with building management systems. **(WATT-ADJUST)** This luminaire is provided with a programmable driver so that specific wattage requirements can be achieved. These settings are done at the factory during assembly. (See options below)

Aluminum Housing

Less than 0.1% copper content – Marine Grade LM6 Aluminum provides excellent mechanical strength, clean detailed product lines and excellent heat dissipation.

Pre paint

8 step degrease and phosphate process that includes deoxidizing and etching as well as a zinc and nickel phosphate process before product painting.

Memory Retentive -Silicon Gasket.

Provided with special injection molded **“fit for purpose”** long life high temperature **memory retentive silicon gaskets** with integrated waterproof barriers. Maintains the gaskets exact profile and seal over years of use and compression.

Thermal management.

LM6 Aluminum is used for its **excellent mechanical strength and thermal dissipation properties** in low and high ambient temperatures. The superior thermal heat sink design by Ligman used in conjunction with the driver, controls thermals below critical temperature range to ensure maximum luminous flux output, as well as providing long LED service life and ensuring less than 10% lumen depreciation at 50,000 hours.

Surge Suppression

Standard 10kv surge suppressor provided with all fixtures.

Finishing

All Ligman products go through an extensive finishing process that includes fettling to improve paint adherence.

Paint.

UV Stabilized 4.9Mil thick powder coat paint and baked at 200 Deg C. This process ensures that Ligman products can withstand harsh environments. Bollard is powdercoated internally for additional protection.

Hardware.

Provided Hardware is **Marine grade 316 Stainless steel.**

Anti Seize Screw Holes

Tapped holes are infused with a **special anti seize compound** designed to prevent seizure of threaded connections, due to electrolysis from heat, corrosive atmospheres and moisture.

Crystal Clear Low Iron Glass Lens.

Provided with tempered, impact resistant **crystal clear low iron glass** ensuring no green glass tinge.

Optics & LED

Precise optic design provides **exceptional light control and precise distribution of light.** LED CRI > 80

Lumen - Maintenance Life

L80 /B10 at 50,000 hours (This means that at least 90% of the LED still achieve 80% of their original flux)

Standard Options

Lamp
80w LED
29w LED
WATT-ADJUST
[Factory Programmed to specific wattage requirements.]

Beam
Lumens for 80w LED
T2 • Type II Distribution - 6584lm
T3 • Type III Distribution - 6389lm
T4 • Type IV Distribution - 6904lm
ME • Type ME Distribution - 6577lm

Beam - Type V
M • Medium 30°
W • Wide 53°
VW • Very Wide 66°
EW • Extra Wide 124°

LED Color
W27 • 2700K
W30 • 3000K
W40 • 4000K

Finish Color

- 01 - Black - RAL 9011
- 02 - Dark Grey - RAL 7043
- 03 - White - RAL 9003
- 04 - Metallic Silver - RAL 9006
- 05 - Matte Silver - RAL 9006
- 06 - Bronze - RAL 6014
- 07 - Custom RAL

Options (Consult Factory for Pricing)

- OS • Occupancy Sensor
- HSS • Internal House Side Shield
- F • Frosted Lens
- DIM • 0-10v Dimming

Ordering Example : USE - 90001 - 80w - T2 - W30 - 02 - 120/277v - Options

USE	Lamp	Beam	LED Color	Color	Voltage	Options
90001	80w LED 29w LED WATT-ADJ Specify Watts (80w MAX)	T2 Type II Distribution W27 T3 Type III Distribution W30 T4 Type IV Distribution W40 ME Type ME Distribution M Medium W Wide VW Very Wide EW Extra Wide	W27 2700K W30 3000K W40 4000K	01 Black 02 Dark Grey 03 White 04 Metallic Silver 05 Matte Silver 06 Bronze 07 Custom RAL	120/277v Other (Specify)	OS Occupancy Sensor HSS Internal House Side Shield F Frosted Lens DIM 0-10v Dimming

PROJECT: DATE: QUANTITY:

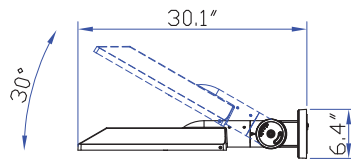
TYPE: NOTE:

Head Office:
7144 NW Progress Ct Hillsboro, Oregon 97124
Tel: 503-645-0500 Fax: 503-645-8100
www.ligmanlightingusa.com



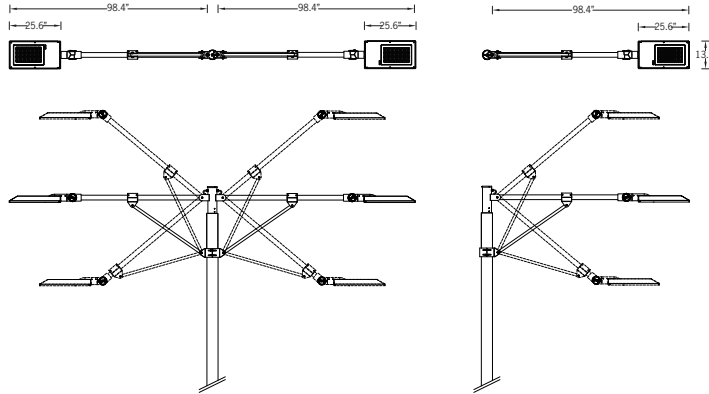
Ligman Lighting USA reserves the right to change specifications without prior notice, please contact factory for latest information. Due to the continual improvements in LED technology data and components may change without notice.

For USE-90001

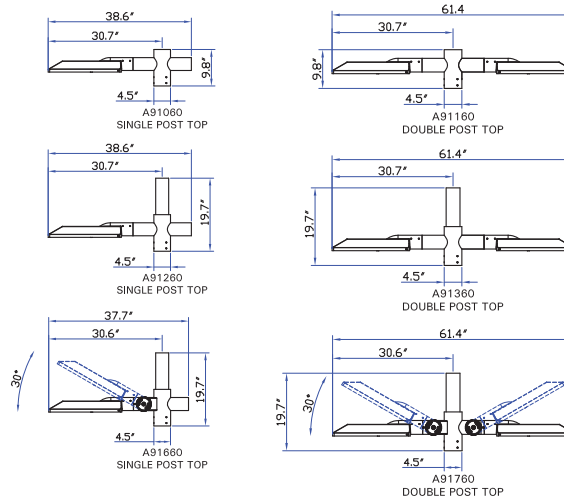


A30160
WALL LIGHT

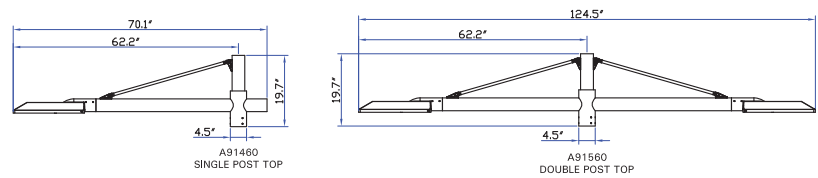
STEAMER WALL



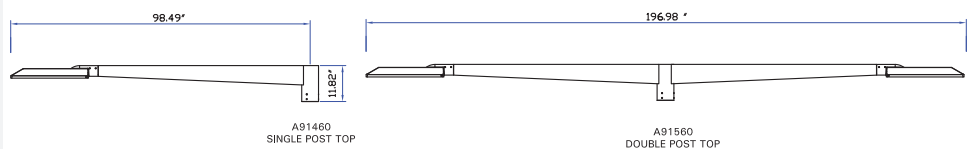
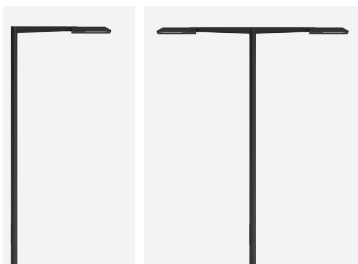
STEAMER GANTRY



SHORT ARM



OUTRIGGER



LONG ARM

HIGH/LOW/OFF PIR OUTDOOR PHOTO/MOTION SENSOR IP66 - **legrand**® Integrated photocell

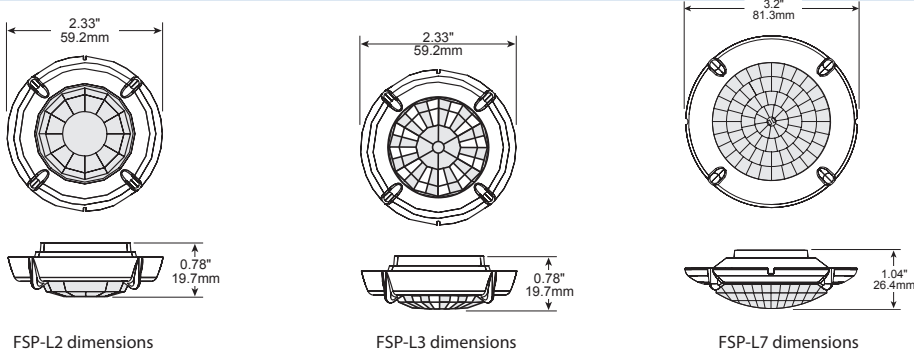


Ligman provides integrated photocell control using the wattstopper legrand FSP-211B. These units are installed inside the fixture housing with only the external lenses being visible



FSP-211B

Dimensions of Lens Options



Product Overview

The FSP-221B is a family of passive infrared (PIR) outdoor sensors that raise or lower the electric lighting level to high, low or off based on motion and/or daylight contribution. Typically, once the sensor stops detecting movement and the time delay elapses, lights will first fade to low mode, and eventually switch off. When motion is detected, the sensor ramps the light level to high mode unless the daylight contribution is sufficient.

The integral photocell can also switch the lights on and off for dusk to dawn control, so that lighting remains on overnight even without motion detection.

The sensors control 0-10VDC or nondimming LED drivers or ballasts. The low voltage FSP-201B may be used with dim-to-off drivers or ballasts. Initial setup and subsequent sensor adjustments are made using a Wireless Handheld Configuration Tool (FSIR-100). This tool enables adjustment of sensor parameters including high/low mode, sensitivity, time delay, cut off and more.

The FSIR-100 can read current parameter settings, and stores up to six sensor parameter profiles to speed commissioning of multiple sensors.

Models

FSP-221B, 100-347 VAC

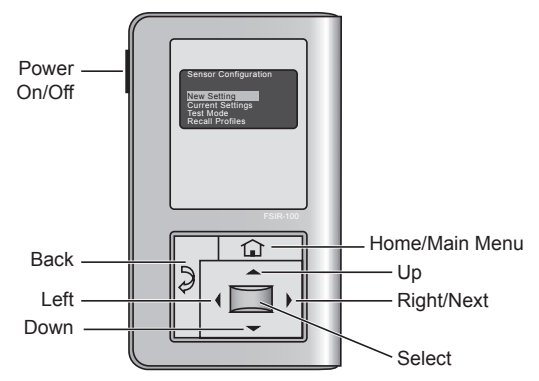
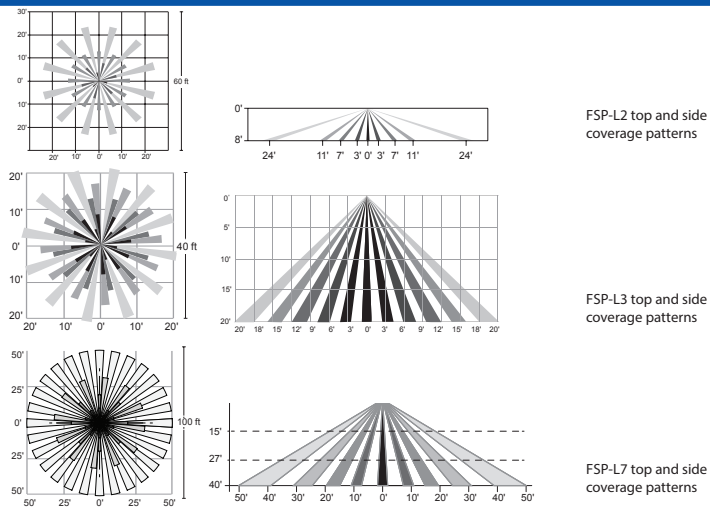
Specifications and Features

- Three interchangeable lenses for mounting between 8' and 40'
- Remote setup and adjustment with handheld wireless configuration tool
- Adjustable high and low modes (high: 0 to 10V, low: off, 0 to 9.8V)
- Adjustable time delay (30 seconds, 1 to 30 minutes)
- Adjustable cut off delay (none, 1 to 59 minutes, 1 to 5 hours)
- Adjustable sensitivity/service mode (low, med, max; on-fix, off-fix)
- Adjustable setpoints: hold off setpoint (none, 1 to 250 fc, auto); photocell on/off setpoint (1 to 250 fc)
- Adjustable ramp and fade times (1 to 60 seconds)
- Operating temperature: -40°F to +167°F (-40°C to +75°C)
- IP66 rated
- Five year warranty

Factory Defaults

High mode:	10V
Low mode:	1V
Time delay:	5 minutes
Cut off:	1 hour
Setpoint:	Disabled
Sensitivity:	Max
Ramp up time:	Disabled
Fade down time:	Disabled
Photocell On/Off:	Disabled

Coverage



The FSIR-100 is a convenient handheld remote tool for sensor setting. Adjustable settings can be changed as needed for specific applications.

Catalog #	Color	Description
<input type="checkbox"/> FSP-L2	White/Grey/Black/Brown <small>The Trim color option will be selected to closest match fixture color. e.g. (Matte silver fixture - grey trim)</small>	360° lens, maximum coverage 48' diameter from 8' height
<input type="checkbox"/> FSP-L3	White/Grey/Black/Brown <small>The Trim color option will be selected to closest match fixture color. e.g. (Matte silver fixture - grey trim)</small>	360° lens, maximum coverage 40' diameter from 20' height
<input type="checkbox"/> FSP-L7	White/Grey/Black/Brown <small>The Trim color option will be selected to closest match fixture color. e.g. (Matte silver fixture - grey trim)</small>	360° lens, maximum coverage 100' diameter from 40' height
<input type="checkbox"/> FSIR-100	Black	Remote Handheld Configuration Tool