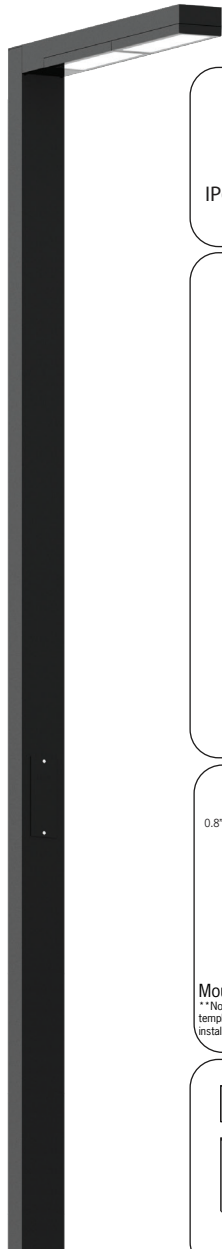
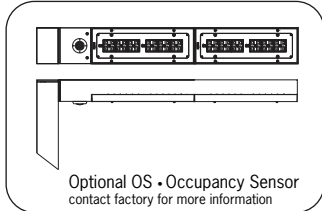
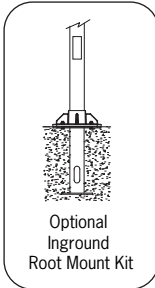
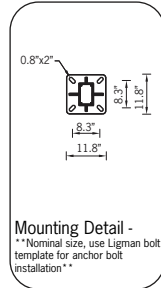
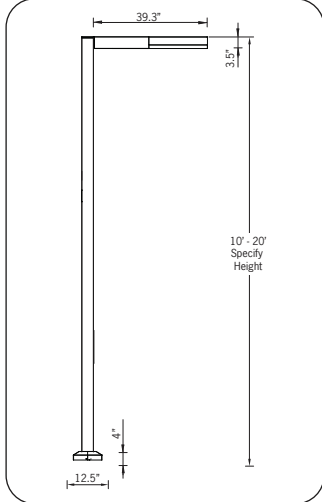


ULI-21291 Light Linear PT4

Street Light



Physical Data
 Length • 39.3"
 Height • 10' - 20'
 IP65 • Suitable For Wet Locations
 IK07 • Impact Resistant



Light Linear PT is an elegant minimalistic lighting column that is suitable for both modern and classic architecture. Ideal for creating visual guidance with exceptional visual comfort. The dual sealed optical chamber with integrated heat sinks houses a range of field interchangeable optically controlled LED's, providing Type II, III, IV & V distribution, as well as variations of this for precise light distribution requirements. An example of this, is using a combination of Type II and Type IV distribution optics inside the same fixture. This product range is available in 55w, 78w, 110w & 156w options, as a single & double head styles. Customer specific wattages can be provided, contact the factory for more information. This luminaire complies to Dark Sky requirements. The sleek and minimalistic shape provides distinctive lighting effects by night and decorative urban effect during the day. Suitable for use in pedestrian precincts, building surrounds, shopping centers, squares, parks and parking lots. This product range is complemented with high performance optics in the bollard and wall mounted luminaires, to provide a consistent range of design aesthetics for the project. See website for more information. Poles can be provided with GFCI boxes positioned to specific heights specified by the customer. A flat low profile hand hole cover with vandal resistant screws is provided for easy installation. Internal house side shields are available as an option. Available with a selection of integral electronic drivers and dimming electronic drivers as well as a provision to install wireless lighting controls to integrate with building management systems, as well as pole mounted occupancy sensors [contact the factory for more information] Easy access to the luminaire for maintenance. (WATT-ADJ) This luminaire is provided with a programmable driver so that specific wattage requirements can be achieved. These settings are done at the factory during assembly. (See options below)

[SINGLE HEAD CUTSHEETS](#) || [ULI-21171 - 55w](#) | [ULI-21173 - 78w](#) | [ULI-21172 - 110w](#) | [ULI-21291 - 156w](#)
[DOUBLE HEAD CUTSHEETS](#) || [ULI-21181 - 2x55w](#) | [ULI-21183 - 2x78w](#) | [ULI-21182 - 2x110w](#) | [ULI-21321 - 2x156w](#)

<p>Aluminum Casting Less than 0.1% copper content – Marine Grade LM6 Aluminum High Pressure die casting provides excellent mechanical strength, clean detailed product lines and excellent heat dissipation.</p> <p>Pre paint 8 step degrease and phosphate process that includes deoxidizing and etching as well as a zinc and nickel phosphate process before product painting.</p> <p>Memory Retentive -Silicon Gasket. Provided with special injection molded “fit for purpose” long life high temperature memory retentive silicon gaskets. Maintains the gaskets exact profile and seal over years of use and compression.</p> <p>Thermal management. LM6 Aluminum is used for its excellent mechanical strength and thermal dissipation properties in low and high ambient temperatures. The superior thermal heat sink design by Ligman used in conjunction with the driver, controls thermals below critical temperature range to ensure maximum luminous flux output, as well as providing long LED service life and ensuring less than 10% lumen depreciation at 50,000 hours.</p> <p>Surge Suppression Standard 10kv surge suppressor provided with all fixtures.</p> <p>BUG Rating B1 - U0 - G1</p>	<p>Finishing. All Ligman products go through an extensive finishing process that includes fettling to improve paint adherence.</p> <p>Paint. UV Stabilized 4.9Mil thick powder coat paint and baked at 200 Deg C. This process ensures that Ligman products can withstand harsh environments. Rated for use in natatoriums.</p> <p>Hardware. Provided Hardware is Marine grade 316 Stainless steel.</p> <p>Anti Seize Screw Holes Tapped holes are infused with a special anti seize compound designed to prevent seizure of threaded connections, due to electrolysis from heat, corrosive atmospheres and moisture.</p> <p>Crystal Clear Low Iron Glass Lens. Provided with tempered, impact resistant crystal clear low iron glass ensuring no green glass tinge.</p> <p>Optics & LED Precise optic design provides exceptional light control and precise distribution of light. LED CRI > 80</p> <p>Lumen - Maintenance Life L80 /B10 at 50,000 hours (This means that at least 90% of the LED still achieve 80% of their original flux)</p>
--	---

Standard Options

<p>Lamp 156w LED</p> <p>WATT-ADJUST [Factory Programmed to specific wattage requirements.]</p>	<p>Beam T2 • Type II Distribution - 12093lm T3 • Type III Distribution - 12335lm T4 • Type IV Distribution - 12555lm</p>	<p>LED Color W27 • 2700K W30 • 3000K W40 • 4000K</p>	<p>Finish Color</p> <table border="1"> <tr><td>01 - Black - RAL 9011</td><td>01</td></tr> <tr><td>02 - Dark Grey - RAL 7043</td><td>02</td></tr> <tr><td>03 - White - RAL 9003</td><td>03</td></tr> <tr><td>04 - Metallic Silver - RAL 9006</td><td>04</td></tr> <tr><td>05 - Matte Silver - RAL 9006</td><td>05</td></tr> <tr><td>06 - Bronze - RAL 6014</td><td>06</td></tr> <tr><td>07 - Custom RAL</td><td>07</td></tr> </table>	01 - Black - RAL 9011	01	02 - Dark Grey - RAL 7043	02	03 - White - RAL 9003	03	04 - Metallic Silver - RAL 9006	04	05 - Matte Silver - RAL 9006	05	06 - Bronze - RAL 6014	06	07 - Custom RAL	07	<p>Options (Consult Factory for Pricing)</p> <table border="1"> <tr><td>GFCI - GFCI Box</td><td>F - Frosted Lens</td></tr> <tr><td>OS - Occupancy Sensor</td><td></td></tr> <tr><td>WLC - Wireless Lighting Controls</td><td></td></tr> <tr><td>DIM - 0-10v Dimming</td><td></td></tr> <tr><td>HGT- Specify Custom Height</td><td></td></tr> <tr><td>A20891 - Root Mount Kit</td><td></td></tr> <tr><td>HSS - House Side Shield</td><td></td></tr> </table>	GFCI - GFCI Box	F - Frosted Lens	OS - Occupancy Sensor		WLC - Wireless Lighting Controls		DIM - 0-10v Dimming		HGT- Specify Custom Height		A20891 - Root Mount Kit		HSS - House Side Shield	
01 - Black - RAL 9011	01																															
02 - Dark Grey - RAL 7043	02																															
03 - White - RAL 9003	03																															
04 - Metallic Silver - RAL 9006	04																															
05 - Matte Silver - RAL 9006	05																															
06 - Bronze - RAL 6014	06																															
07 - Custom RAL	07																															
GFCI - GFCI Box	F - Frosted Lens																															
OS - Occupancy Sensor																																
WLC - Wireless Lighting Controls																																
DIM - 0-10v Dimming																																
HGT- Specify Custom Height																																
A20891 - Root Mount Kit																																
HSS - House Side Shield																																

Ordering Example : ULI - 21291 - 156w - T2 - W40 - 02 - 120/277v - Options

ULI	Lamp		Beam		LED Color		Color		Voltage		Options			
	21291	156w LED WATT-ADJ Specify Watts (80w MAX)	T2 Type II T3 Type III T4 Type IV		W27 2700K W30 3000K W40 4000K		01 Black 02 Dark Grey 03 White 04 Metallic Silver 05 Matte Silver 06 Bronze 07 Custom RAL		120/277v Other (Specify)		GFCI OS WLC DIM HGT	GFCI Box Occupancy Sensor Wireless Lighting 0-10v Dimming Custom Height	A20891 HSS F	Root Mount Kit House Side Shield Frosted Lens

PROJECT: DATE: QUANTITY:

TYPE: NOTE:

Head Office:
 7144 NW Progress Ct Hillsboro, Oregon 97124
 Tel: 503-645-0500 Fax: 503-645-8100
www.ligmanlightingusa.com

Ligman Lighting USA reserves the right to change specifications without prior notice, please contact factory for latest information. Due to the continual improvements in LED technology data and components may change without notice.



HIGH/LOW/OFF PIR OUTDOOR PHOTO/MOTION SENSOR IP66 - **legrand**® Integrated photocell

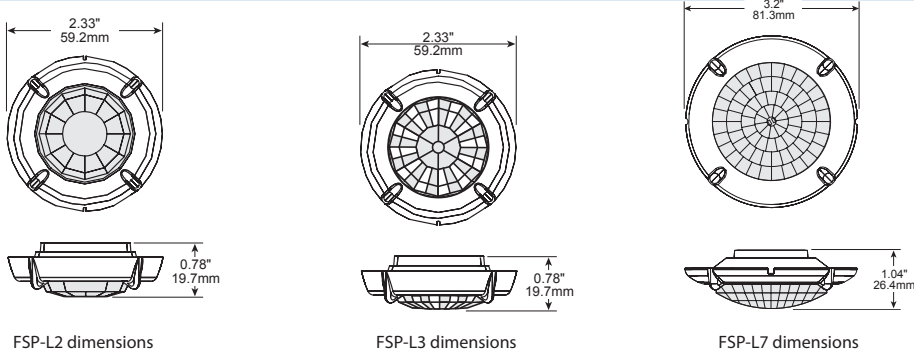


Ligman provides integrated photocell control using the wattstopper legrand FSP-211B. These units are installed inside the fixture housing with only the external lenses being visible



FSP-211B

Dimensions of Lens Options



Product Overview

The FSP-221B is a family of passive infrared (PIR) outdoor sensors that raise or lower the electric lighting level to high, low or off based on motion and/or daylight contribution. Typically, once the sensor stops detecting movement and the time delay elapses, lights will first fade to low mode, and eventually switch off. When motion is detected, the sensor ramps the light level to high mode unless the daylight contribution is sufficient.

The integral photocell can also switch the lights on and off for dusk to dawn control, so that lighting remains on overnight even without motion detection.

The sensors control 0-10VDC or nondimming LED drivers or ballasts. The low voltage FSP-201B may be used with dim-to-off drivers or ballasts. Initial setup and subsequent sensor adjustments are made using a Wireless Handheld Configuration Tool (FSIR-100). This tool enables adjustment of sensor parameters including high/low mode, sensitivity, time delay, cut off and more.

The FSIR-100 can read current parameter settings, and stores up to six sensor parameter profiles to speed commissioning of multiple sensors.

Models

FSP-221B, 100-347 VAC

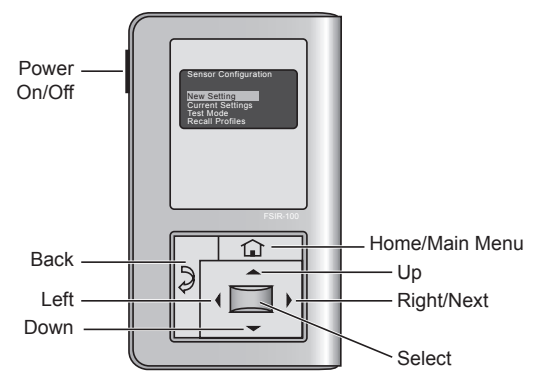
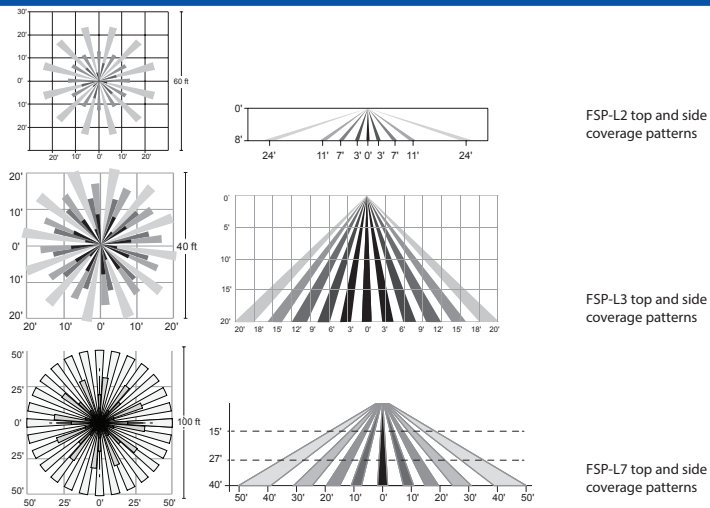
Specifications and Features

- Three interchangeable lenses for mounting between 8' and 40'
- Remote setup and adjustment with handheld wireless configuration tool
- Adjustable high and low modes (high: 0 to 10V, low: off, 0 to 9.8V)
- Adjustable time delay (30 seconds, 1 to 30 minutes)
- Adjustable cut off delay (none, 1 to 59 minutes, 1 to 5 hours)
- Adjustable sensitivity/service mode (low, med, max; on-fix, off-fix)
- Adjustable setpoints: hold off setpoint (none, 1 to 250 fc, auto); photocell on/off setpoint (1 to 250 fc)
- Adjustable ramp and fade times (1 to 60 seconds)
- Operating temperature: -40°F to +167°F (-40°C to +75°C)
- IP66 rated
- Five year warranty

Factory Defaults

High mode:	10V
Low mode:	1V
Time delay:	5 minutes
Cut off:	1 hour
Setpoint:	Disabled
Sensitivity:	Max
Ramp up time:	Disabled
Fade down time:	Disabled
Photocell On/Off:	Disabled

Coverage



The FSIR-100 is a convenient handheld remote tool for sensor setting. Adjustable settings can be changed as needed for specific applications.

Catalog #	Color	Description
<input type="checkbox"/> FSP-L2	White/Grey/Black/Brown <small>The Trim color option will be selected to closest match fixture color. e.g. (Matte silver fixture - grey trim)</small>	360° lens, maximum coverage 48' diameter from 8' height
<input type="checkbox"/> FSP-L3	White/Grey/Black/Brown <small>The Trim color option will be selected to closest match fixture color. e.g. (Matte silver fixture - grey trim)</small>	360° lens, maximum coverage 40' diameter from 20' height
<input type="checkbox"/> FSP-L7	White/Grey/Black/Brown <small>The Trim color option will be selected to closest match fixture color. e.g. (Matte silver fixture - grey trim)</small>	360° lens, maximum coverage 100' diameter from 40' height
<input type="checkbox"/> FSIR-100	Black	Remote Handheld Configuration Tool