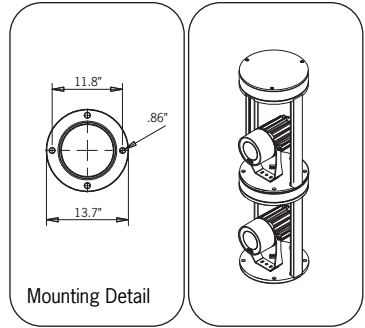
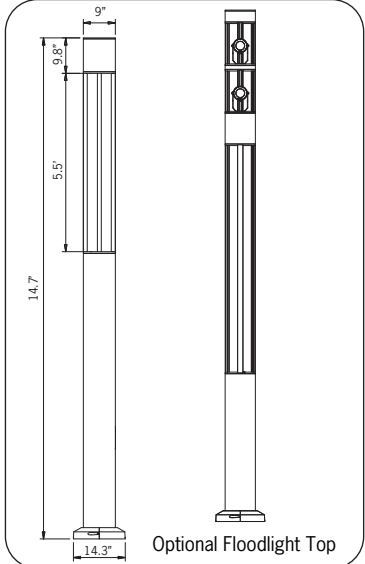


UBE-20001 Benton



Physical Data
 Length • 14.3"
 Height • 14.7'
 Weight • 73 lbs
 IP65 • Suitable For Wet Locations
 IK08 • Impact Resistant



A stylish Dark Sky Compliant round high performance light column with downward light distribution using LED lamps. This light column offers optimal visual comfort through glare control by utilizing a controlled optics designed by Ligman. These columns have a round design providing a unique wide light distribution, offering an architecturally appealing clover leaf pattern on the paving. The internal sides of the supporting pillars are accented by light from the LED. Color temperature 2700K, 3000K and 4000K. The minimalist shape provides distinctive lighting effects by night and decorative urban effect during the day. Suitable for pedestrian areas, precincts, building surrounds, shopping centers, squares and parks. The Benton Column comes standard with a unique waterproof internal driver housing compartment that is situated at the top of the pole to stop water and dust from entering the electrical components. This fixture is supplied completely wired with powercord and waterproof gland from the driver enclosure to the base of the column to ensure quick trouble-free installation.

Custom column heights are available to suit customer design requirements, please specify. This luminaire is supplied complete with anchor bolts and top quality die-cast aluminum anchor bolt cover.
 Reduced custom wattages and dimming can be provided to suit Title 24 and customer requirements. (Specify total watt requirement per fixture)
 Designed to complement the Benton bollard UBE-10001
 • NOTE: For the square version of the Benton, please see the Vancouver Light Column and Bollard

<p>Aluminum Less than 0.1% copper content – Marine Grade 6060 extruded & LM6 Aluminum High Pressure die casting provides excellent mechanical strength, clean detailed product lines and excellent heat dissipation.</p> <p>Pre paint 8 step degrease and phosphate process that includes deoxidizing and etching as well as a zinc and nickel phosphate process before product painting.</p> <p>Memory Retentive -Silicon Gasket. Provided with special injection molded “fit for purpose” long life high temperature memory retentive silicon gaskets. Maintains the gaskets exact profile and seal over years of use and compression.</p> <p>Thermal management. LM6 Aluminum is used for its excellent mechanical strength and thermal dissipation properties in low and high ambient temperatures. The superior thermal heat sink design by Ligman used in conjunction with the driver, controls thermals below critical temperature range to ensure maximum luminous flux output, as well as providing long LED service life and ensuring less than 10% lumen depreciation at 50,000 hours.</p> <p>Surge Suppression Standard 10kv surge suppressor provided with all fixtures.</p> <p>BUG Rating B1 - U1 - G0</p>	<p>Finishing All Ligman products go through an extensive finishing process that includes fettling to improve paint adherence.</p> <p>Paint. UV Stabilized 4.9Mil thick powder coat paint and baked at 200 Deg C. This process ensures that Ligman products can withstand harsh environments. Rated for use in natatoriums.</p> <p>Hardware. Provided Hardware is Marine grade 316 Stainless steel.</p> <p>Anti Seize Screw Holes Tapped holes are infused with a special anti seize compound designed to prevent seizure of threaded connections, due to electrolysis from heat, corrosive atmospheres and moisture.</p> <p>Crystal Clear Low Iron Glass Lens. Provided with tempered, impact resistant crystal clear low iron glass ensuring no green glass tinge.</p> <p>Optics & LED Precise optic design provides exceptional light control and precise distribution of light. LED CRI > 80</p> <p>Lumen - Maintenance Life L80 /B10 at 50,000 hours (This means that at least 90% of the LED still achieve 80% of their original flux)</p>
--	--

Standard Options

<p>Lamp 40w LED 2969 Lumens 29w LED 2078 Lumens</p>	<p>LED Color W27 • 2700K W30 • 3000K W40 • 4000K</p>	<p>Finish Color</p> <table border="1"> <tr><td>01</td><td>Black - RAL 9011</td></tr> <tr><td>02</td><td>Dark Grey - RAL 7043</td></tr> <tr><td>03</td><td>White - RAL 9003</td></tr> <tr><td>04</td><td>Metallic Silver - RAL 9006</td></tr> <tr><td>05</td><td>Matte Silver - RAL 9006</td></tr> <tr><td>06</td><td>Bronze - RAL 6014</td></tr> <tr><td>07</td><td>Custom RAL</td></tr> </table>	01	Black - RAL 9011	02	Dark Grey - RAL 7043	03	White - RAL 9003	04	Metallic Silver - RAL 9006	05	Matte Silver - RAL 9006	06	Bronze - RAL 6014	07	Custom RAL
01	Black - RAL 9011															
02	Dark Grey - RAL 7043															
03	White - RAL 9003															
04	Metallic Silver - RAL 9006															
05	Matte Silver - RAL 9006															
06	Bronze - RAL 6014															
07	Custom RAL															

Options (Consult Factory for Pricing)

<p>GFCI - GFCI Box HGT - Custom Height (Specify)</p>	<p>Dichroic Color Filters RD • Red Lens BL • Blue Lens GR • Green Lens AM • Amber Lens Specify Other Color</p>	<p>21w Odessa Floodlight Attachment</p> <p>FL1 • Single Floodlight FL2 • Double Floodlight <small>(Contact Factory for More Floodlight Options)</small></p>
---	--	--

Ordering Example : UBE - 20001 - 40w LED - W30 - 02 - 120/277v - Options

UBE	Lamp	LED Color	Color	Voltage	Options
20001	40w 40w LED 29w 29w LED	W27 2700K W30 3000K W40 4000K	01 Black 02 Dark Grey 03 White 04 Metallic Silver 05 Matte Silver 06 Bronze	120/277v Other (Specify)	GFCI GFCI Box HGT Custom Height FL1 Single Floodlight FL2 Double Floodlight

PROJECT: DATE: QUANTITY:

TYPE: NOTE:

Head Office:
 7144 NW Progress Ct Hillsboro, Oregon 97124
 Tel: 503-645-0500 Fax: 503-645-8100
www.ligmanlightingusa.com



Ligman Lighting USA reserves the right to change specifications without prior notice, please contact factory for latest information. Due to the continual improvements in LED technology data and components may change without notice.